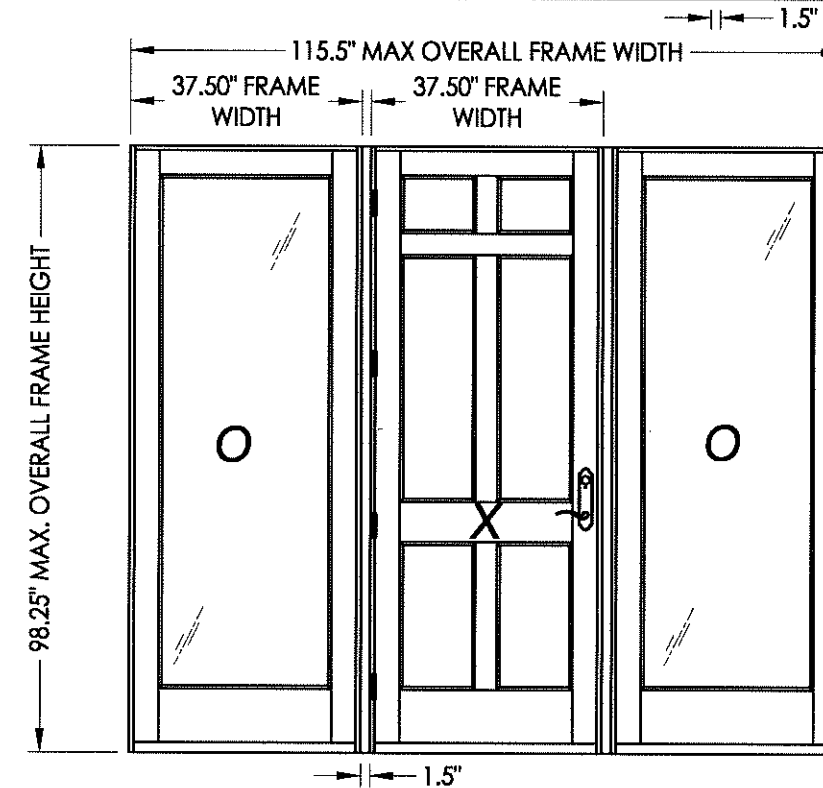
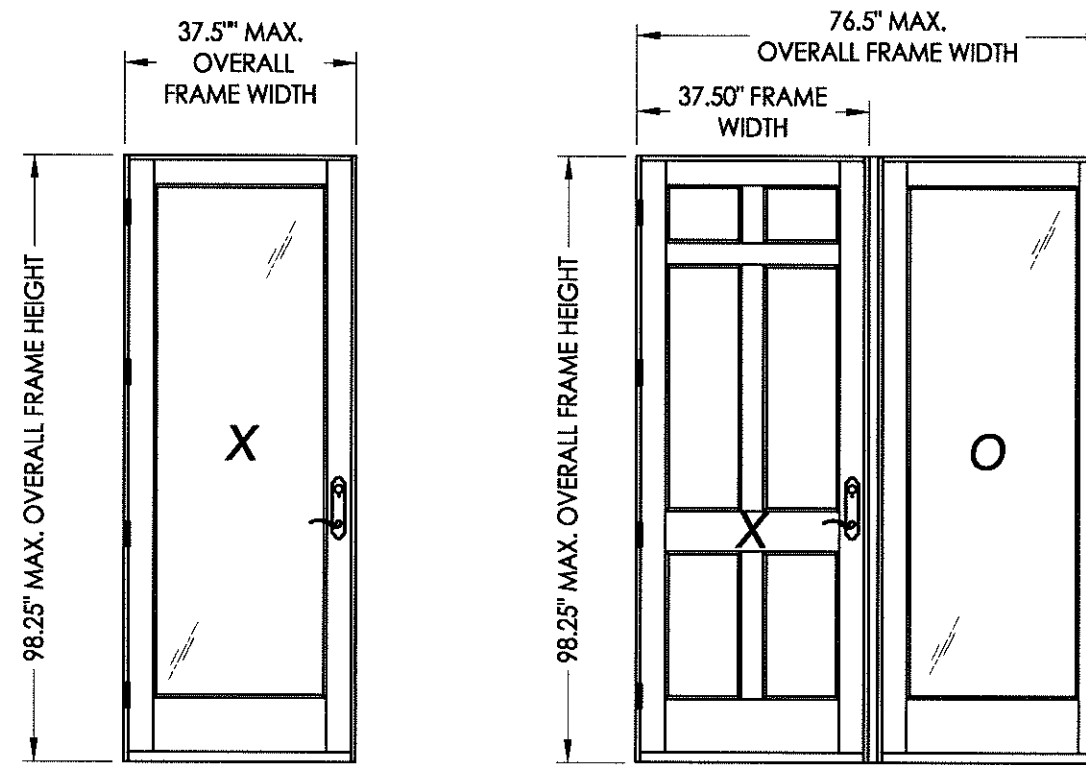




123 NE Beacon Dr.  
Grants Pass, OR 97526

**GLAZED OR OPAQUE  
WOOD DOOR W / SIDELITES  
IN SWING / OUT SWING  
"NON-IMPACT"**



GENERAL NOTES

1. This product has been evaluated and is in compliance with the 2010 Florida Building Code (FBC) structural requirements excluding the "High Velocity Hurricane Zone" (HVHZ).
2. Product anchors shall be as listed and spaced as shown on details. Anchor embedment to base material shall be beyond wall dressing or stucco.
3. When used in areas requiring wind borne debris protection this product is required to be protected with an impact resistant covering that complies with Section 1609.1.2 of the FBC.
4. For 2x stud framing construction, anchoring of these units shall be the same as that shown for 2x buck masonry construction.
5. Site conditions that deviate from the details of this drawing require further engineering analysis by a licensed engineer or registered architect.

TABLE OF CONTENTS	
SHEET#	DESCRIPTION
1	Test elevations, design pressures and general notes
2	Door panel details (opaque)
3	Sidelite panel details (3/4 lite)
4	Sidelite panel details (full lite)
5	Horizontal cross sections
6	Horizontal cross sections
7	Vertical cross sections
8	Buck and frame anchoring - (X)
9	Buck and frame anchoring - (XO)
10	Buck and frame anchoring - (OXO)
11	Lock details
12	Components
13	Bill of materials, components and glazing detail

DOOR PANEL TYPE	OVERALL FRAME DIMENSION	DOOR MAX. D.L.O. DIMENSION	SIDELITE MAX. D.L.O. DIMENSION	GLASS TYPE	DESIGN PRESSURE (PSF)	
					POSITIVE	NEGATIVE
OPAQUE	115.5" x 98.25"	N/A	27.00" x 82.25"	G1	+50.0	-55.0
FULL LITE	115.5" x 98.25"	27.00" x 82.25"	27.00" x 82.25"		+30.0	-35.0

Documents Prepared By:  
**RW** BUILDING CONSULTANTS, INC.  
 P.O. Box 230 Vairico FL 33595  
 Phone No.: 813.659.9197  
 Florida Board of Professional Engineers  
 Certificate Of Authorization No. 9813  
 17-526 10.25.12  
 Lyndon F. Schmidt, P.E. No. 43409

PRODUCT: ROGUE VALLEY DOOR  
 PART OR ASSEMBLY:  
 TYPICAL ELEVATIONS, DESIGN PRESSURES & GENERAL NOTES

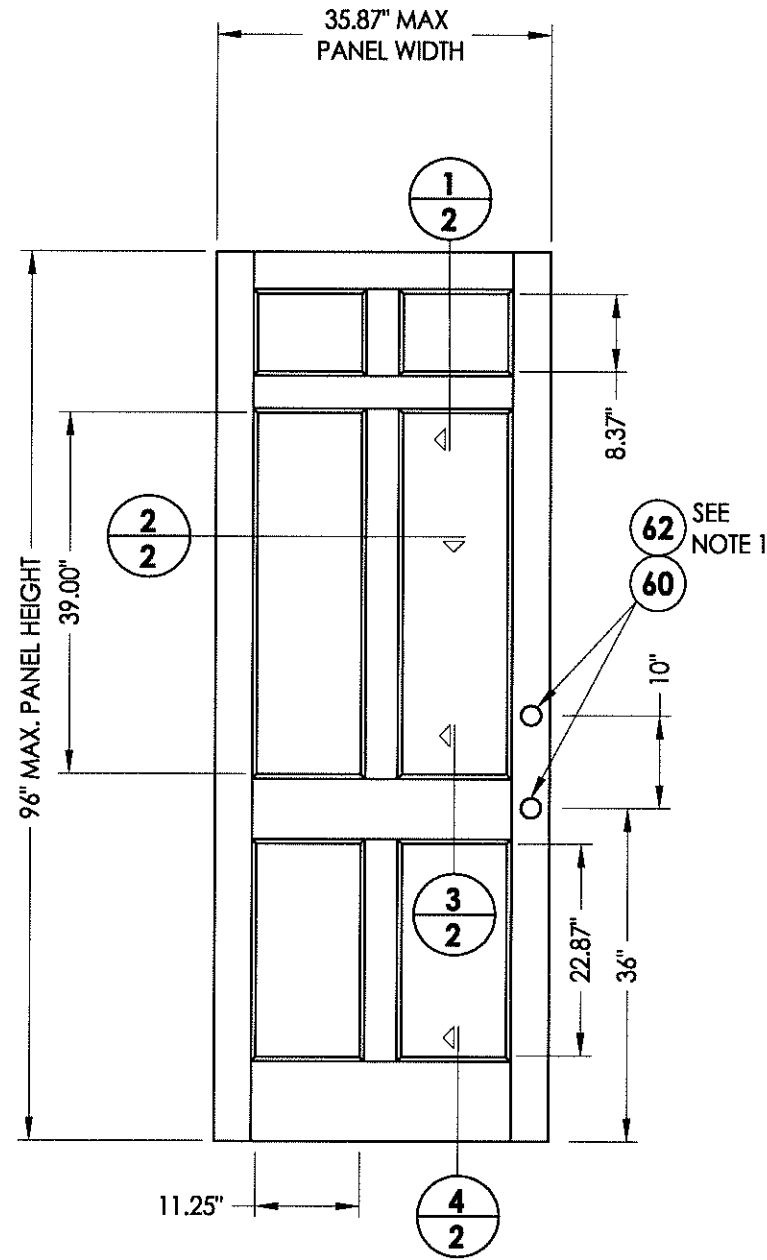
NO.	DATE	BY	REVISIONS
1	10/25/12	LFS	UPDATE TO 2010 FBC

DATE: 10/06/09  
 SCALE: N.T.S.  
 DWG. BY: JK  
 CHK. BY: LFS  
 DRAWING NO.: FL-13137.2  
 SHEET 1 OF 13

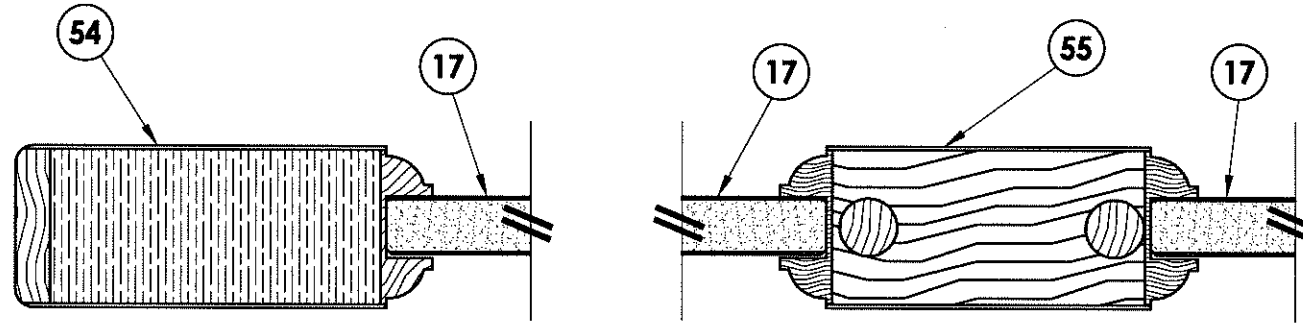
R:\A - Projects\Project Folders\proj 1401-1500\PE 1482\ID. RWBC Drawings\FL-13137\FL-13137.dwg, FL-13137 .2

R.W. Building Consultants, Inc. Project: Foldedproj\_1401\_1500.dwg - RWBC Drawing: FL-13137.dwg, 2.2

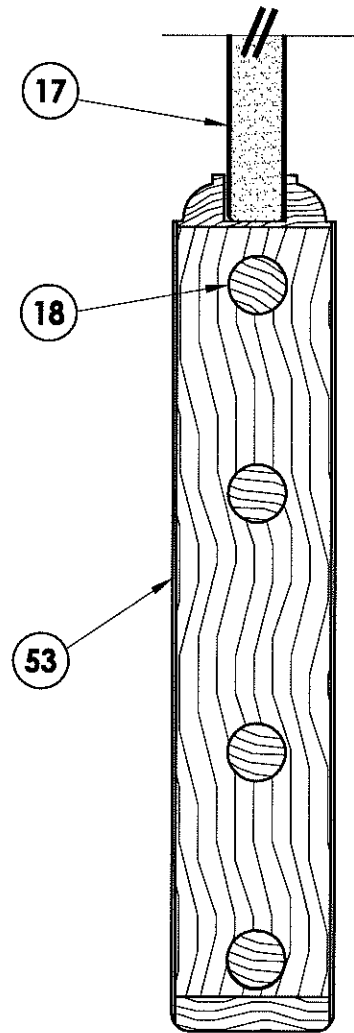
NOTE:  
 1. 3 point lock (item 62) or latch and deadbolt (item 60) are approved for opaque door.



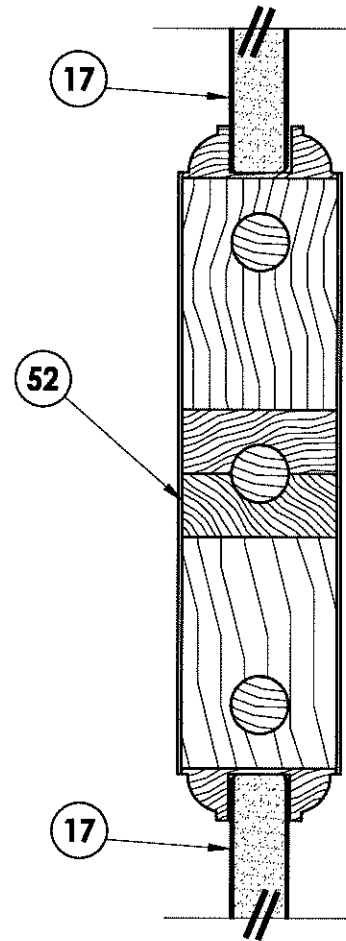
**50 DOOR PANEL**  
 Opaque 36"



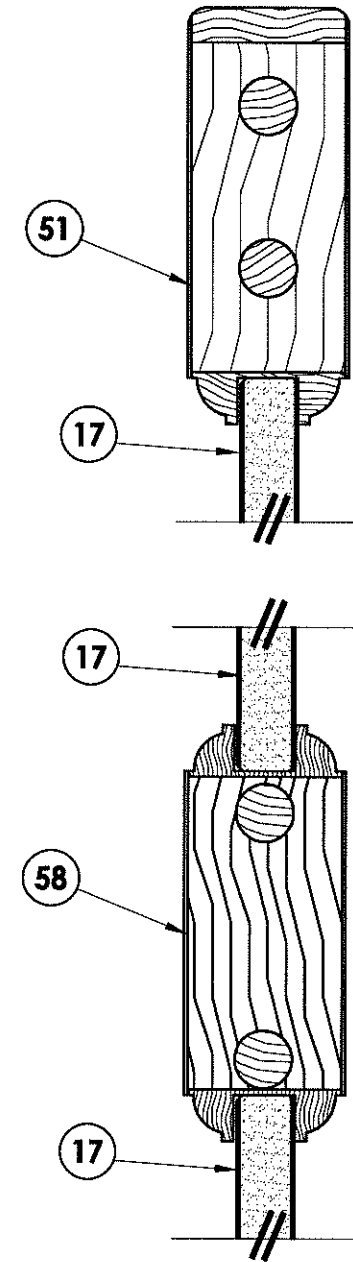
**2 HORIZONTAL CROSS SECTION**



**4 VERTICAL CROSS SECTION**



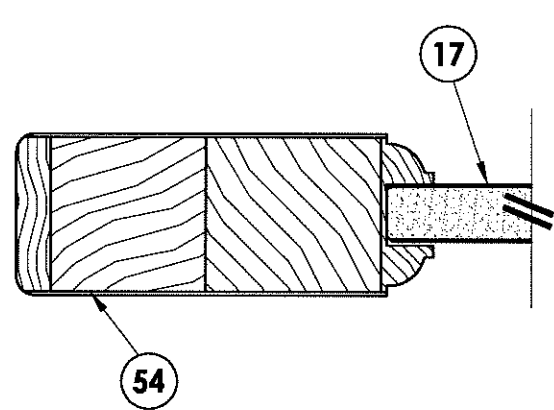
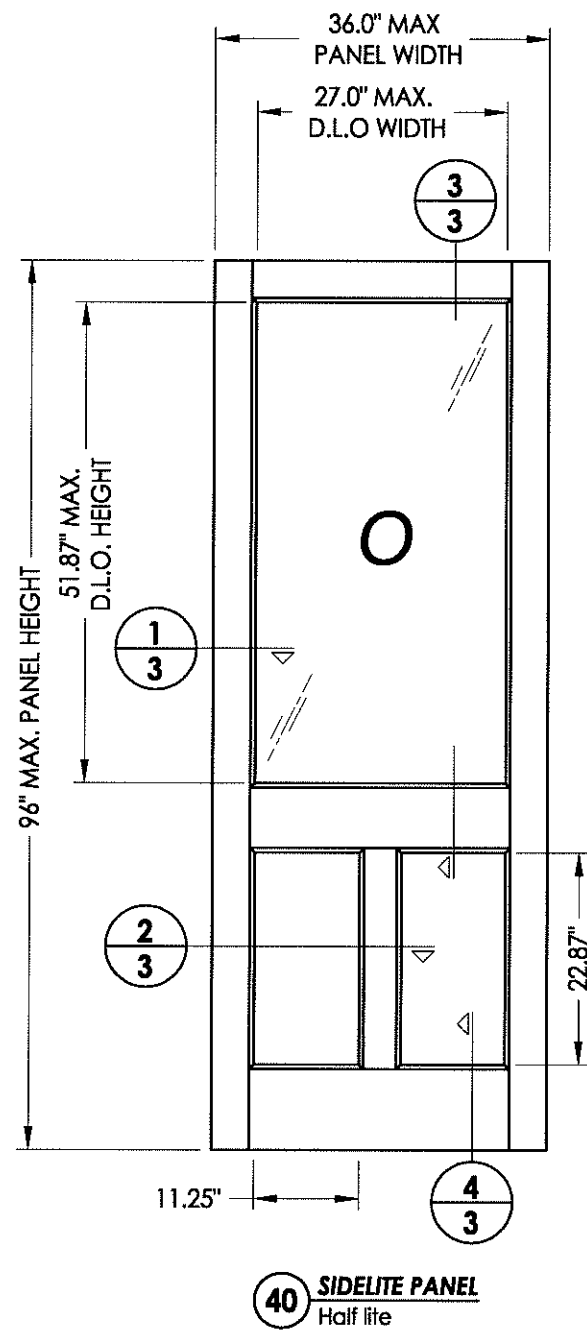
**3 VERTICAL CROSS SECTION**



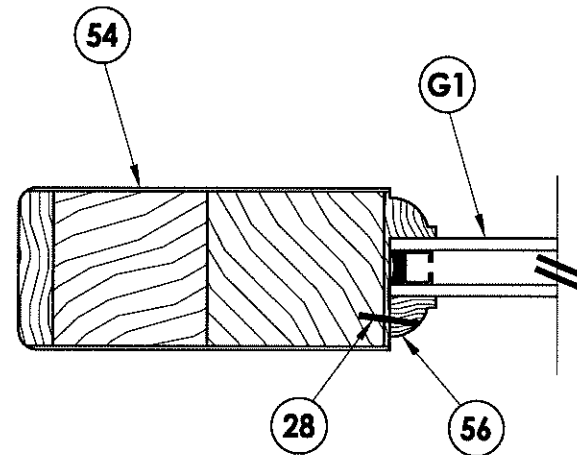
**1 VERTICAL CROSS SECTION**

PRODUCT: ROGUE VALLEY DOOR	
PART OR ASSEMBLY: DOOR PANEL DETAILS (OPAQUE)	
DATE: 10/06/09	SCALE: N.T.S.
DWG. BY: JK	CHK. BY: LFS
DRAWING NO.: FL-13137.2	REVISIONS
SHEET 2 OF 13	

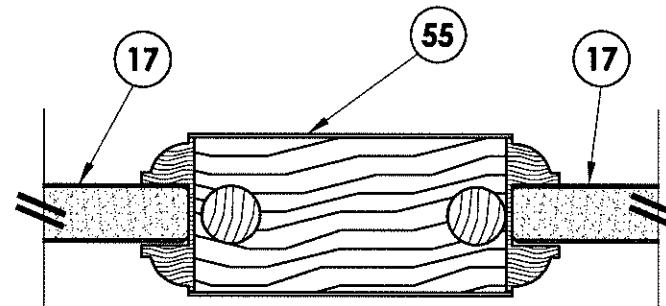
Documents Prepared By:  
**RW** BUILDING CONSULTANTS, INC.  
 P.O. Box 230 Vairico FL 33595  
 Phone No.: 813.659.9197  
 Florida Board of Professional Engineers  
 Certificate Of Authorization No. 9813  
*LFS*  
 Lyndon F. Schmidt, P.E. No. 43409



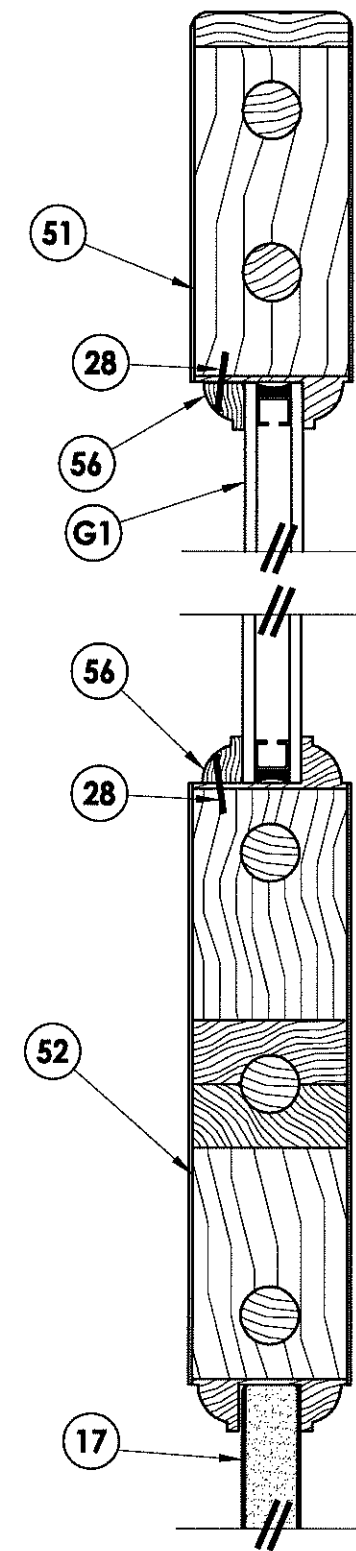
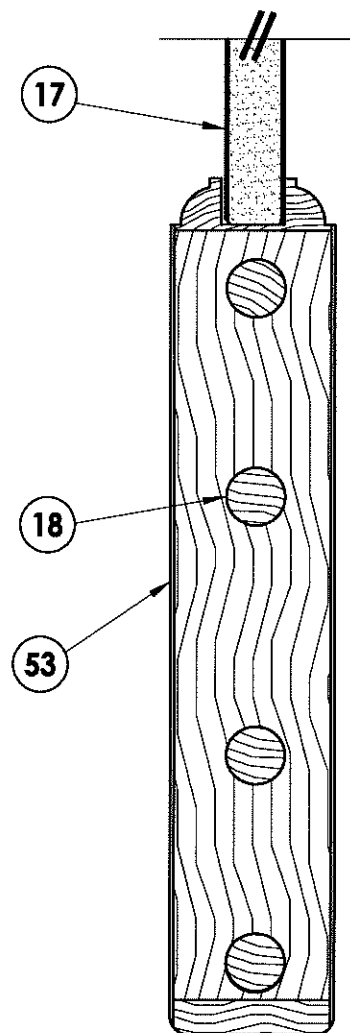
**2 HORIZONTAL CROSS SECTION**



**1 HORIZONTAL CROSS SECTION**



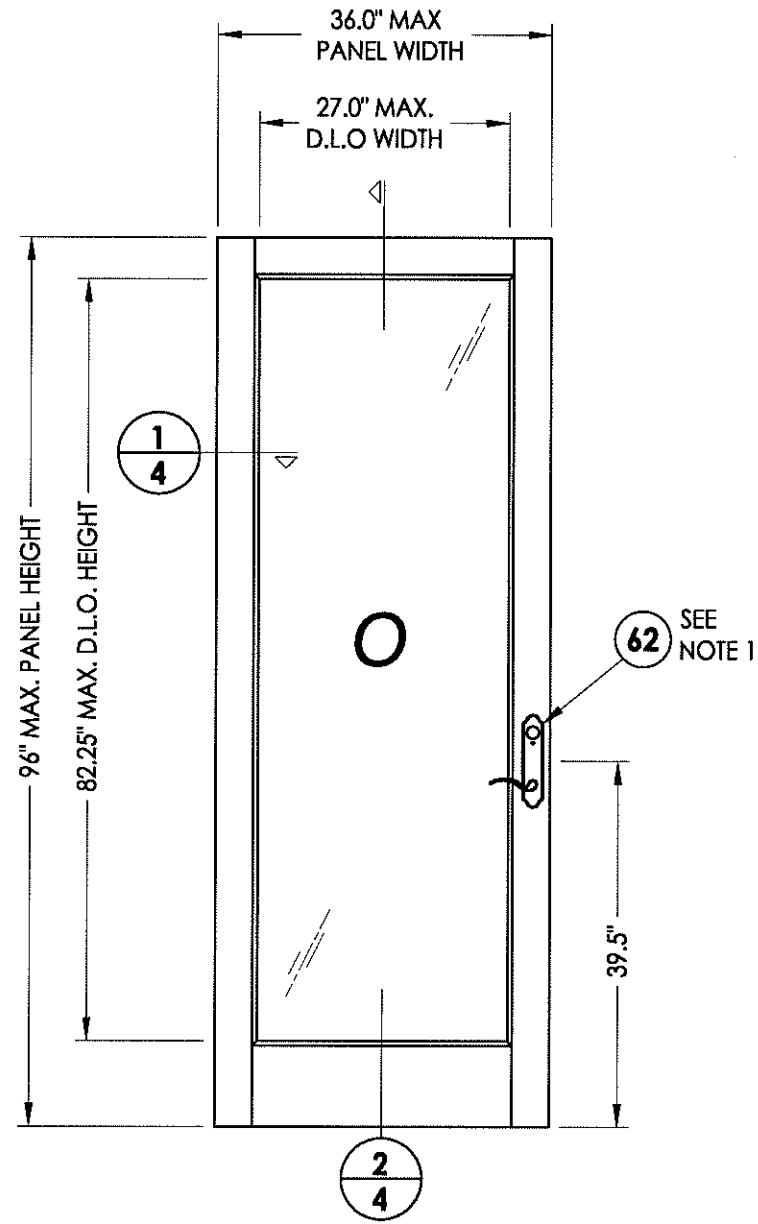
**4 VERTICAL CROSS SECTION**



**3 VERTICAL CROSS SECTION**

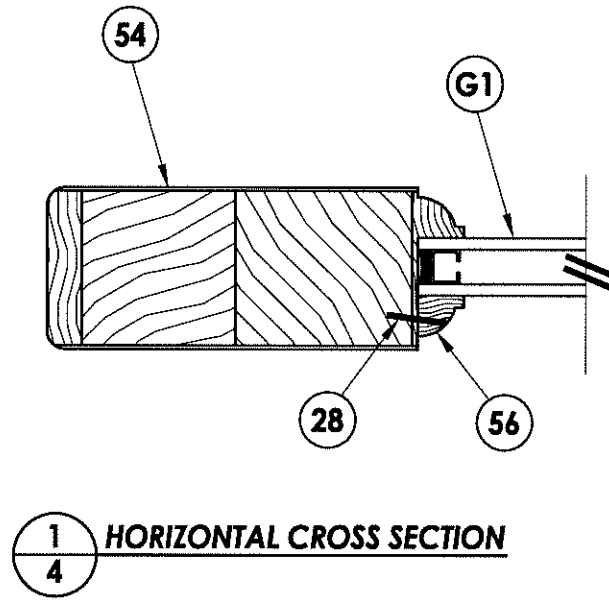
Documents Prepared By:  
**RW** BUILDING CONSULTANTS, INC.  
P.O. Box 230 Valrico FL 33595  
Phone No.: 813.659.9197  
Florida Board of Professional Engineers  
Certificate Of Authorization No. 9813  
*LFS 10.25.12*  
Lyndon F. Schmidt, P.E. No. 43409

PRODUCT:	ROGUE VALLEY DOOR	
PART OR ASSEMBLY:	SIDELITE PANEL DETAILS (3/4 LIFE)	
NO.	DATE	BY
1	10/25/12	LFS
	UPDATE TO 2010 FBC	BY
REVISIONS		
DATE: 10/06/09		
SCALE: N.T.S.		
DWG. BY: JK		
CHK. BY: LFS		
DRAWING NO.: FL-13137.2		
SHEET 3 OF 13		

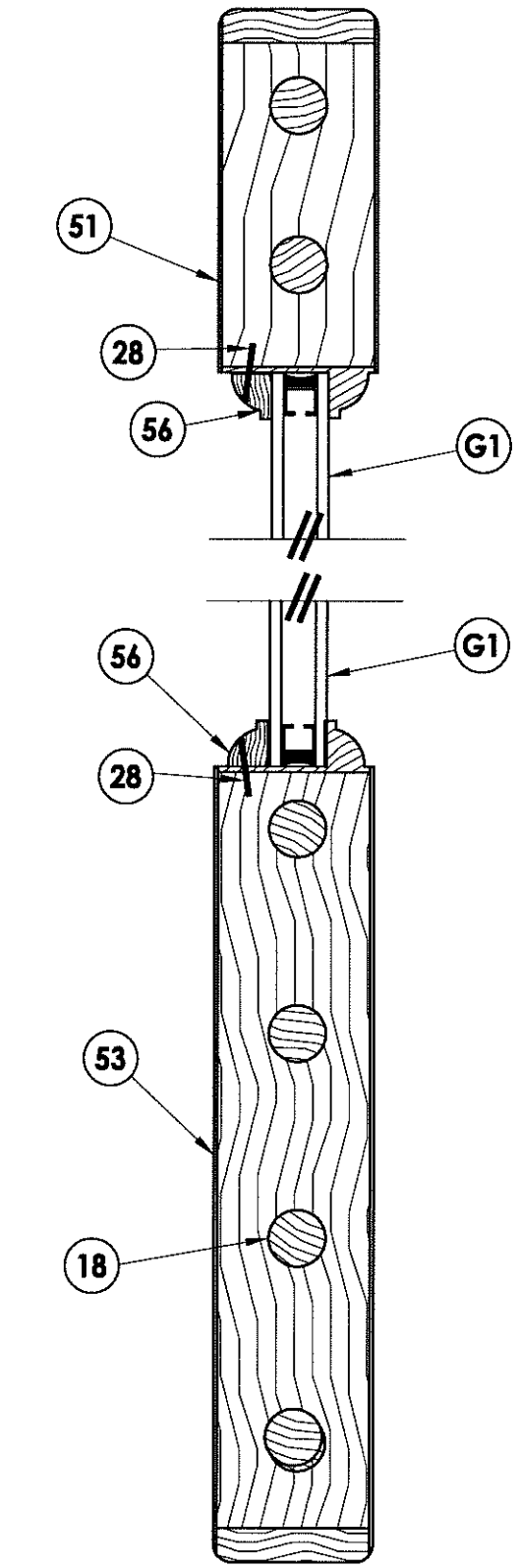


**41** DOOR/SIDELITE PANEL  
Full lite

NOTE:  
1. 3 point lock (item 62) required for full lite door panel.



**1** HORIZONTAL CROSS SECTION



**2** VERTICAL CROSS SECTION

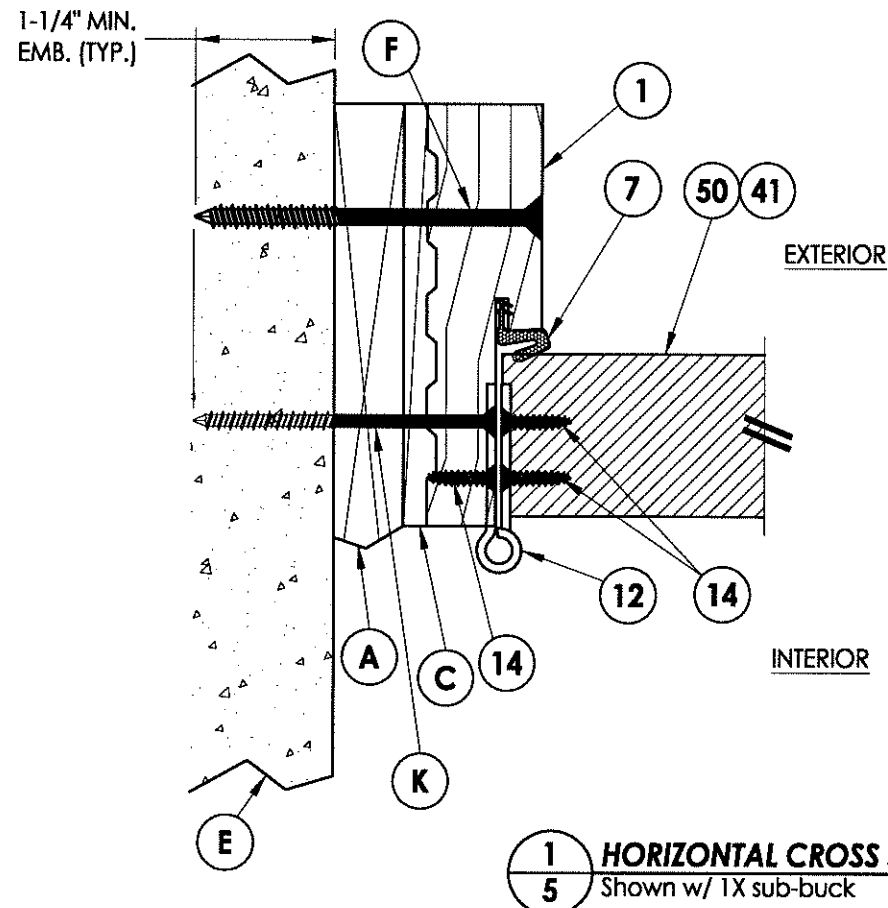
REVISIONS	
NO.	DATE
1	10/25/12
	UPDATE TO 2010 FBC
	LFS
	BY

DATE:	10/06/09
SCALE:	N.T.S.
DWG. BY:	JK
CHK. BY:	LFS
DRAWING NO.:	FL-13137.2
SHEET	4 OF 13

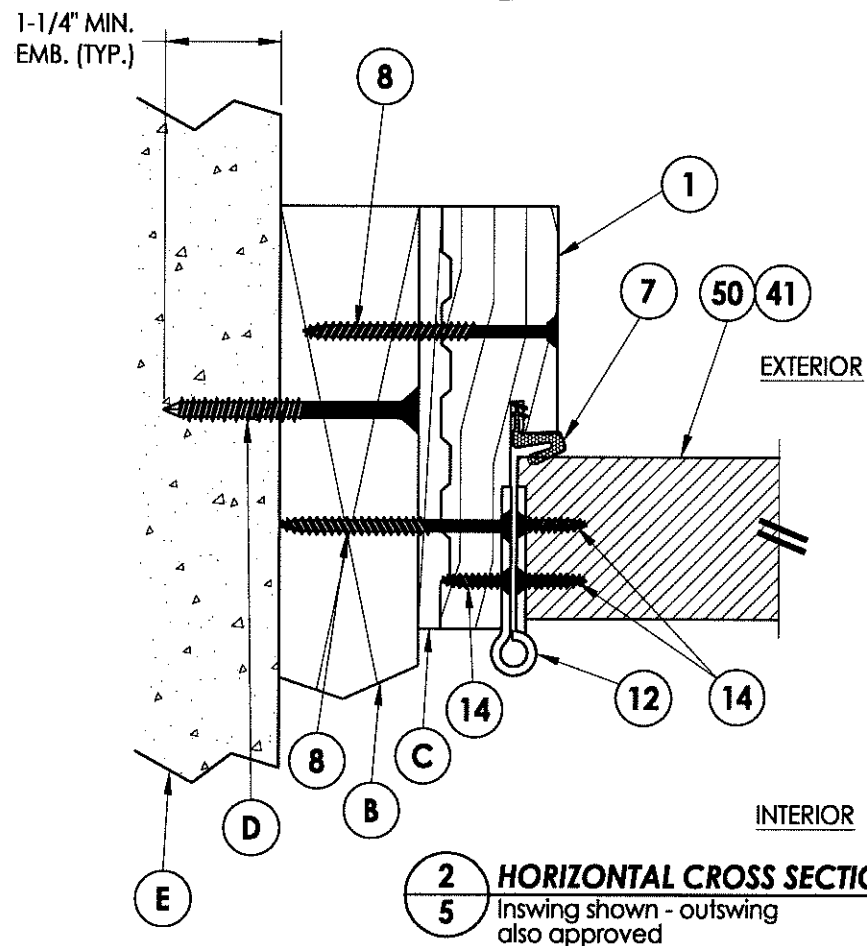
PRODUCT:	ROGUE VALLEY DOOR
PART OR ASSEMBLY:	SIDELITE PANEL DETAILS (FULL LITE)

Documents Prepared By:  
**RW** BUILDING CONSULTANTS, INC.  
 P.O. Box 230 Vairico FL 33595  
 Phone No.: 813.659.9197  
 Florida Board of Professional Engineers  
 Certificate Of Authorization No. 9813  
*LF*  
 Lyndon F. Schmidt, P.E. No. 43409

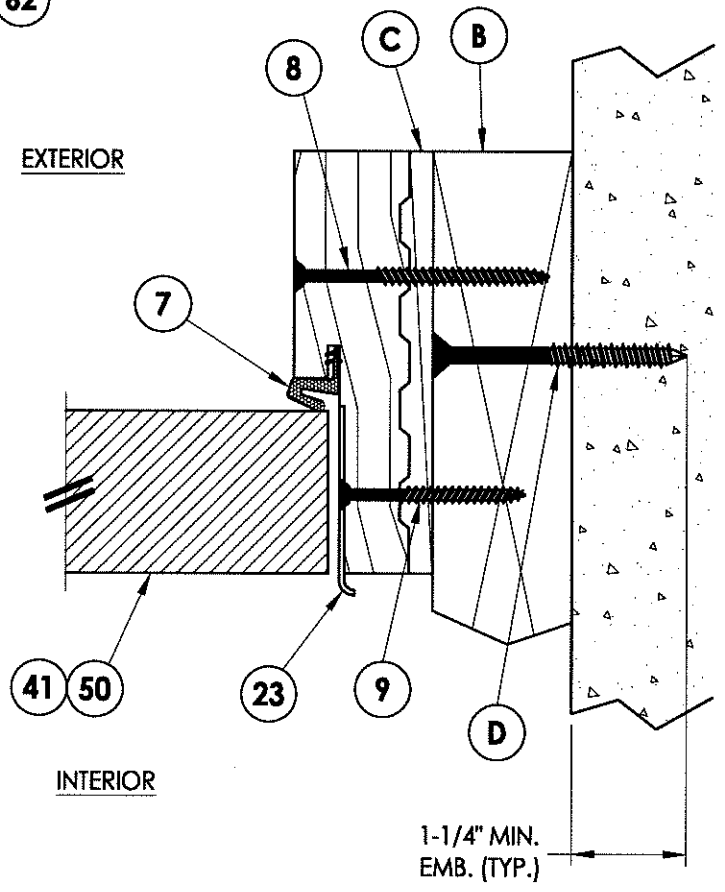
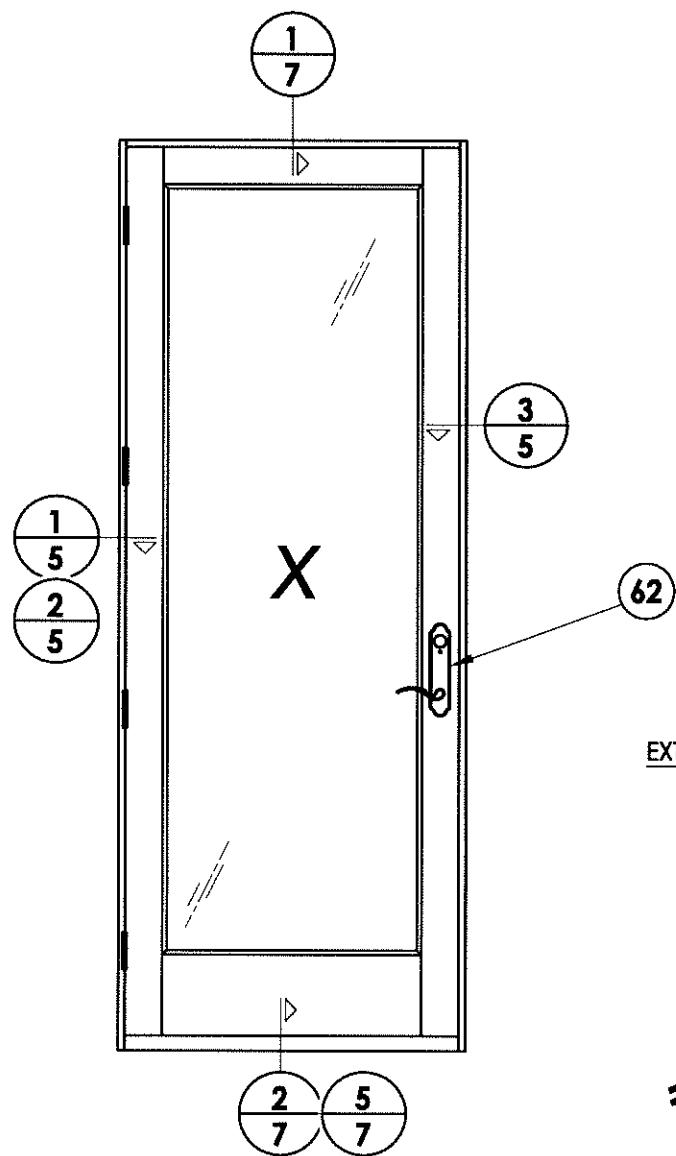
R:\A - Projects\Project Folders\proj 1401-1500\PF 1482\DWG\RWBC Drawings\FL-13137\FL-13137.dwg, 5.2



**1**  
**5** **HORIZONTAL CROSS SECTION**  
Shown w/ 1X sub-buck



**2**  
**5** **HORIZONTAL CROSS SECTION**  
Inswing shown - outswing also approved



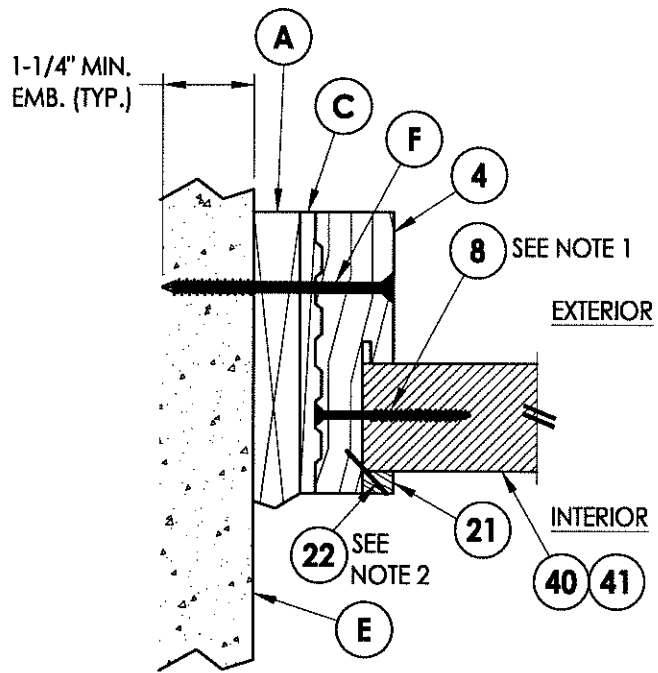
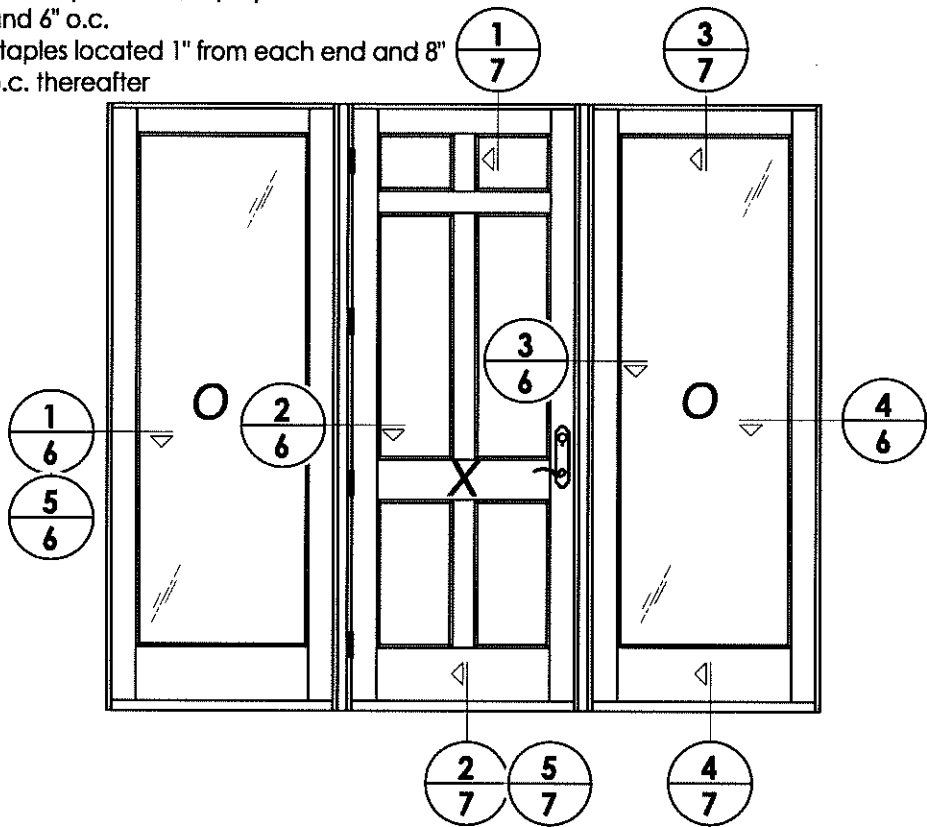
**3**  
**5** **HORIZONTAL CROSS SECTION**  
Inswing shown - outswing also approved

Documents Prepared By:		RW BUILDING CONSULTANTS, INC. P.O. Box 230 Valrico FL 33595 Phone No.: 813.659.9197 Florida Board of Professional Engineers Certificate Of Authorization No. 9813 27-52-10-25-12 Lyndon F. Schmidt, P.E. No. 43409	
PRODUCT:	ROGUE VALLEY DOOR		
PART OR ASSEMBLY:	HORIZONTAL CROSS SECTIONS		
NO.	DATE	BY	REVISIONS
1	10/25/12	LFS	UPDATE TO 2010 FBC
DATE: 10/06/09			
SCALE: N.T.S.			
DWG. BY: JK			
CHK. BY: LFS			
DRAWING NO.: FL-13137.2			
SHEET 5 OF 13			

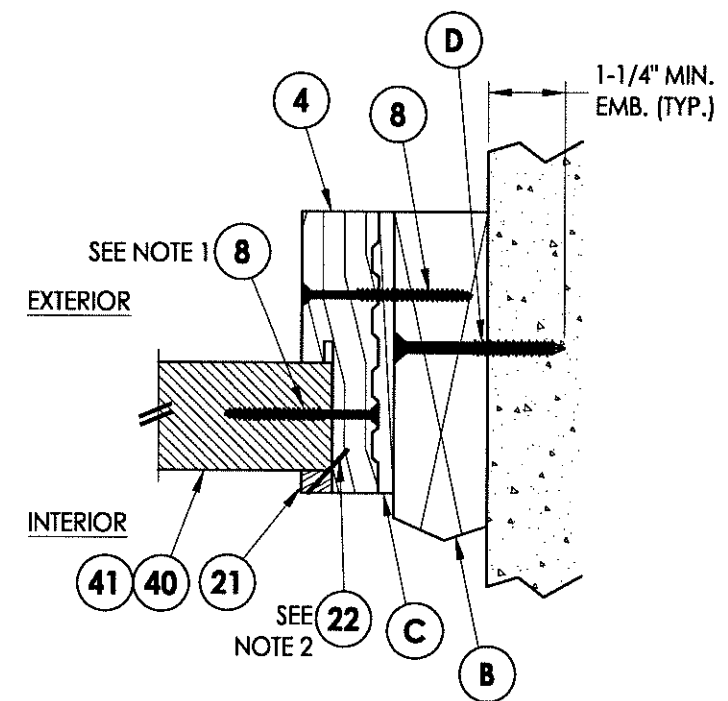
R:\A - Projects\Project Folders\proj 1401-1500\PF 1482\DWG\RWBC Drawings\FL-13137\FL-13137.dwg, 6.2

**NOTE:**

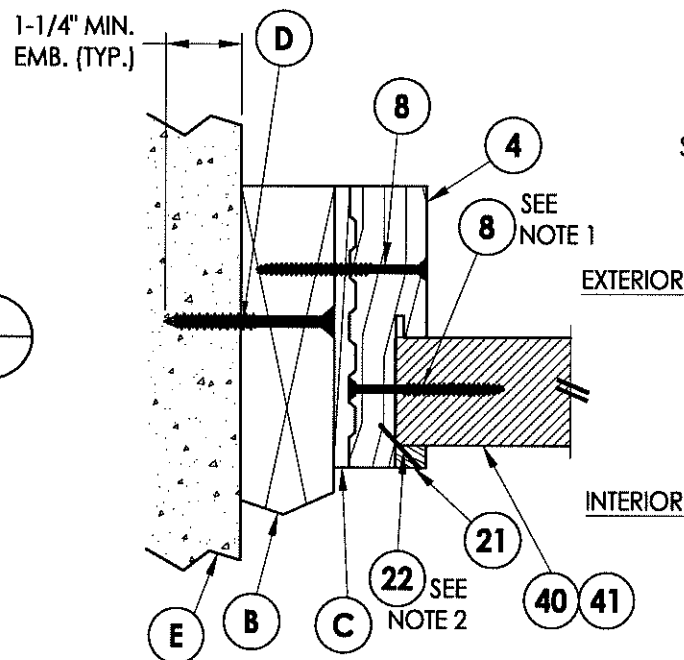
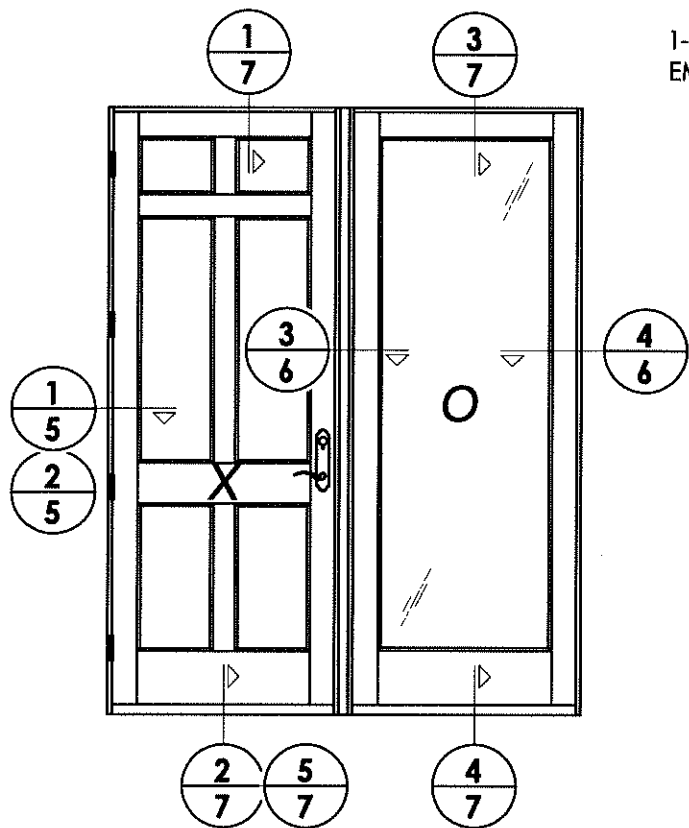
1. Attach sidelite panel to the frame with screws (#10 X 2-1/2" pfh) 2" from each end and 6" o.c.
2. Staples located 1" from each end and 8" o.c. thereafter



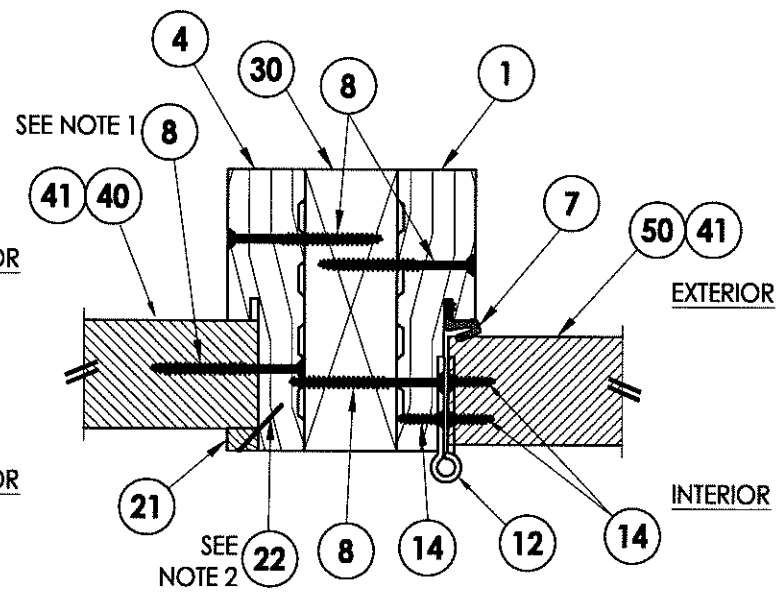
**5 HORIZONTAL CROSS SECTION**  
6 Shown w/ 1X sub-buck



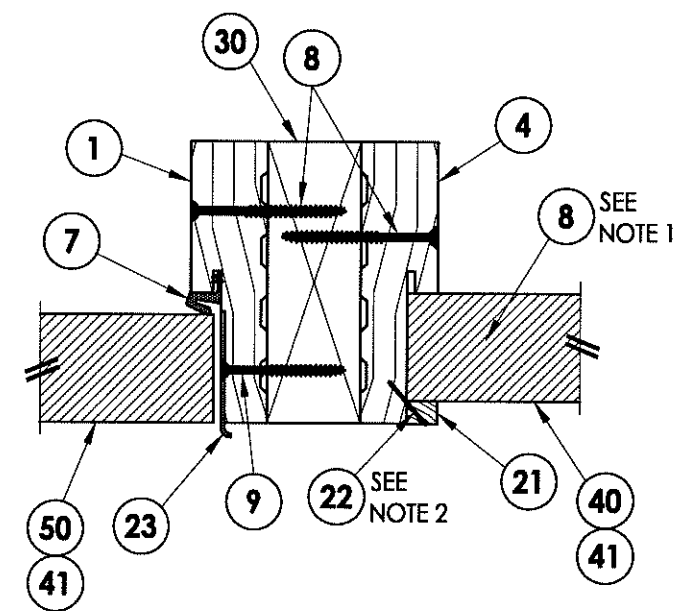
**4 HORIZONTAL CROSS SECTION**  
6 Inswing shown - outswing also approved



**1 HORIZONTAL CROSS SECTION**  
6 Inswing shown - outswing also approved



**2 HORIZONTAL CROSS SECTION**  
6 Inswing shown - outswing also approved



**3 HORIZONTAL CROSS SECTION**  
6 Inswing shown - outswing also approved

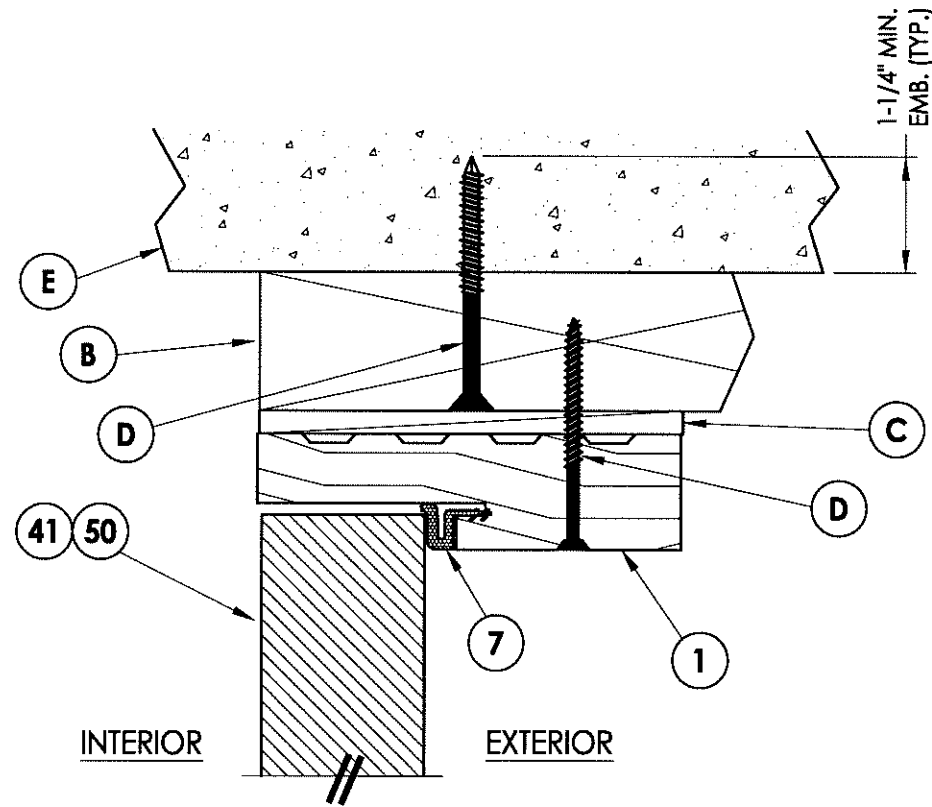
Documents Prepared By:  
**RW** BUILDING CONSULTANTS, INC.  
 P.O. Box 230 Valrico FL 33595  
 Phone No.: 813.659.9197  
 Florida Board of Professional Engineers  
 Certificate Of Authorization No. 9813  
 Lyndon F. Schmidt, P.E. No. 43409

PRODUCT: ROGUE VALLEY DOOR  
 PART OR ASSEMBLY: HORIZONTAL CROSS SECTIONS

NO.	DATE	REVISIONS
1	10/25/12	UPDATE TO 2010 FBC
		LFS
		BY

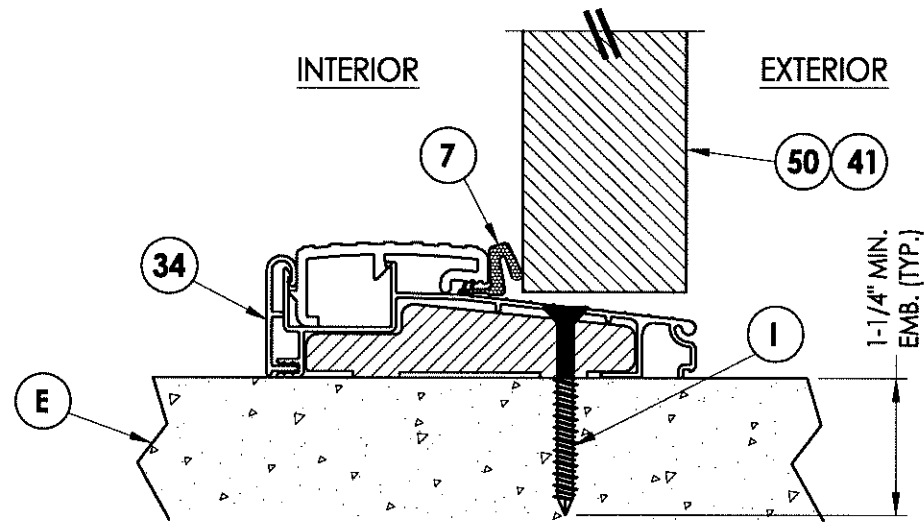
DATE: 10/06/09  
 SCALE: N.T.S.  
 DWG. BY: JK  
 CHK. BY: LFS  
 DRAWING NO.: FL-13137.2  
 SHEET 6 OF 13

R:\VA - Projects\Project Folders\proj\_1401-1500\VF 1482\DWG Drawings\FL-13137\FL-13137.dwg, 7.2

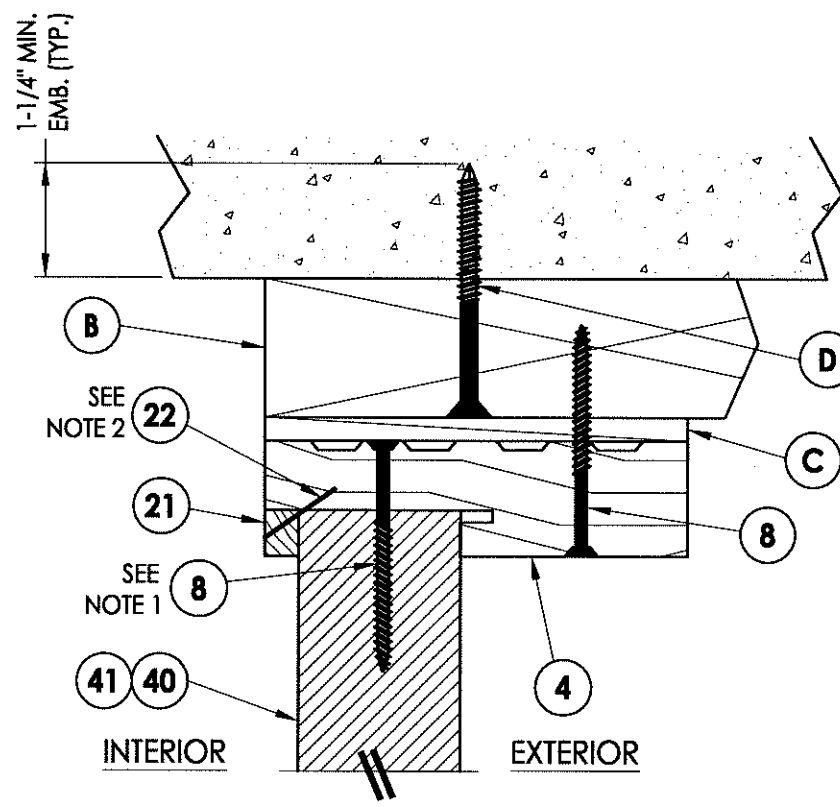


**1**  
**7** VERTICAL CROSS SECTION

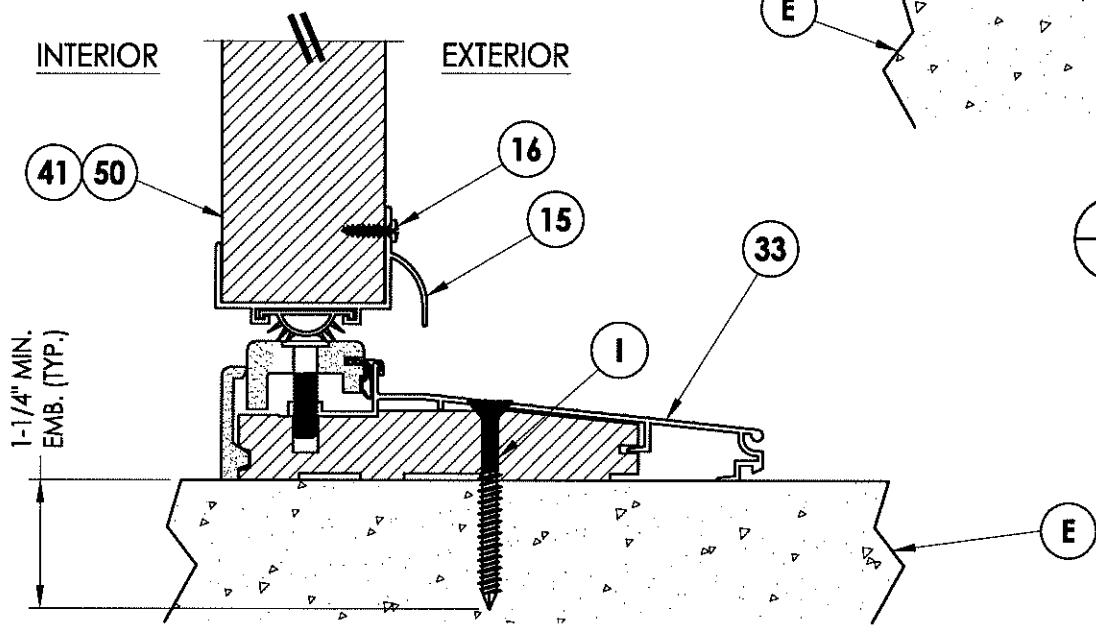
- NOTE:**
1. Attach sidelite panel to the frame with screws (#10 X 2-1/2" pfh) 2" from each end and 6" o.c.
  2. Staples located 1" from each end and 8" o.c. thereafter



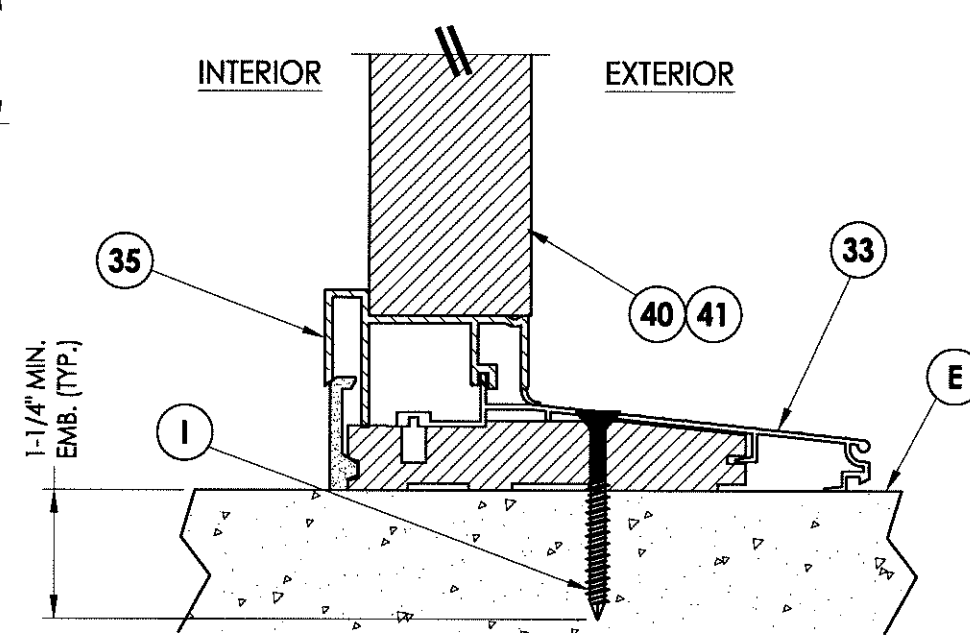
**5**  
**7** VERTICAL CROSS SECTION



**3**  
**7** VERTICAL CROSS SECTION

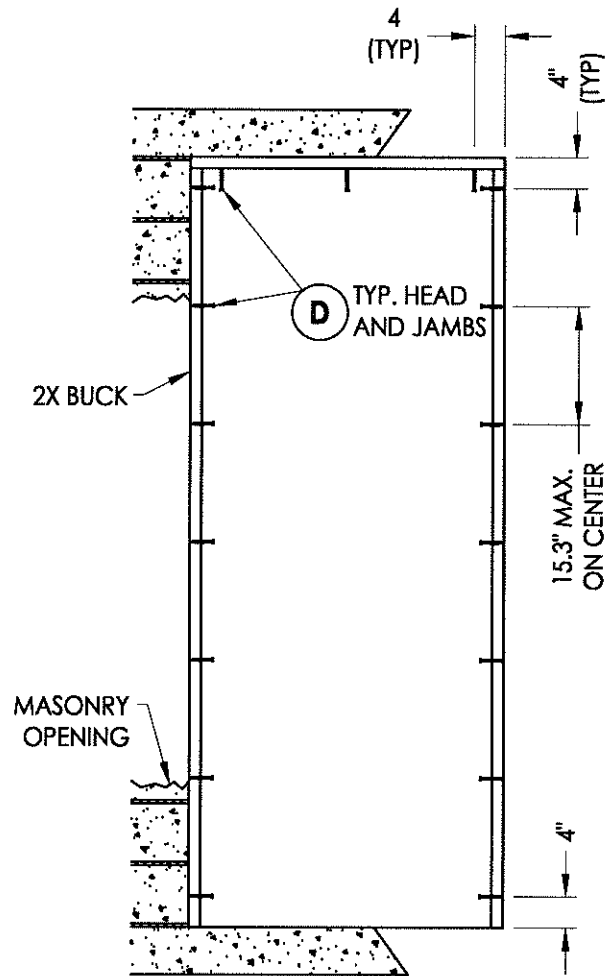


**2**  
**7** VERTICAL CROSS SECTION

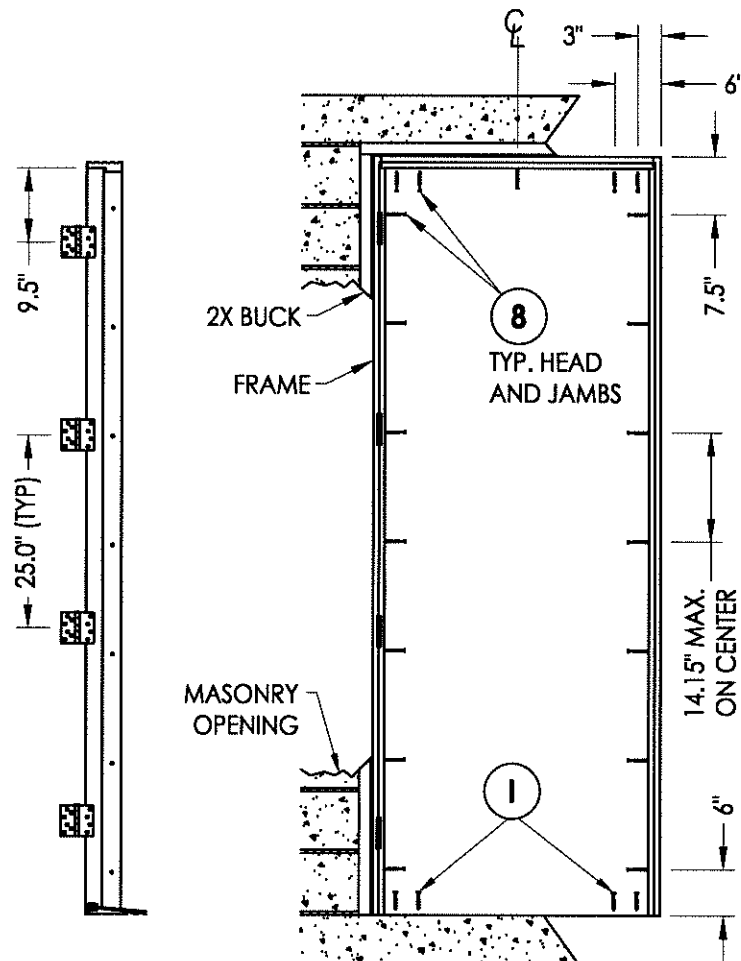


**4**  
**7** VERTICAL CROSS SECTION

Documents Prepared By:		R.W. BUILDING CONSULTANTS, INC. P.O. Box 230 Valrico FL 33595 Phone No.: 813.659.9197										
PRODUCT:		ROGUE VALLEY DOOR										
PART OR ASSEMBLY:		VERTICAL CROSS SECTIONS										
DATE:		10/06/09										
SCALE:		N.T.S.										
DWG. BY:		JK										
CHK. BY:		LFS										
DRAWING NO.:		FL-13137.2										
SHEET		7 of 13										
REVISIONS		<table border="1"> <thead> <tr> <th>NO.</th> <th>DATE</th> <th>BY</th> </tr> </thead> <tbody> <tr> <td>1</td> <td>10/25/12</td> <td>LFS</td> </tr> <tr> <td>2</td> <td>UPDATE TO 2010 FBC</td> <td></td> </tr> </tbody> </table>		NO.	DATE	BY	1	10/25/12	LFS	2	UPDATE TO 2010 FBC	
NO.	DATE	BY										
1	10/25/12	LFS										
2	UPDATE TO 2010 FBC											
Florida Board of Professional Engineers Certificate of Authorization No. 9813		Lyndon F. Schmidt, P.E. No. 43409										

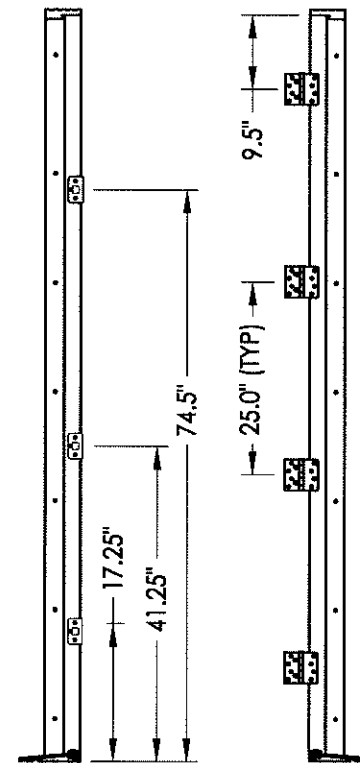


**BUCK ANCHORING**



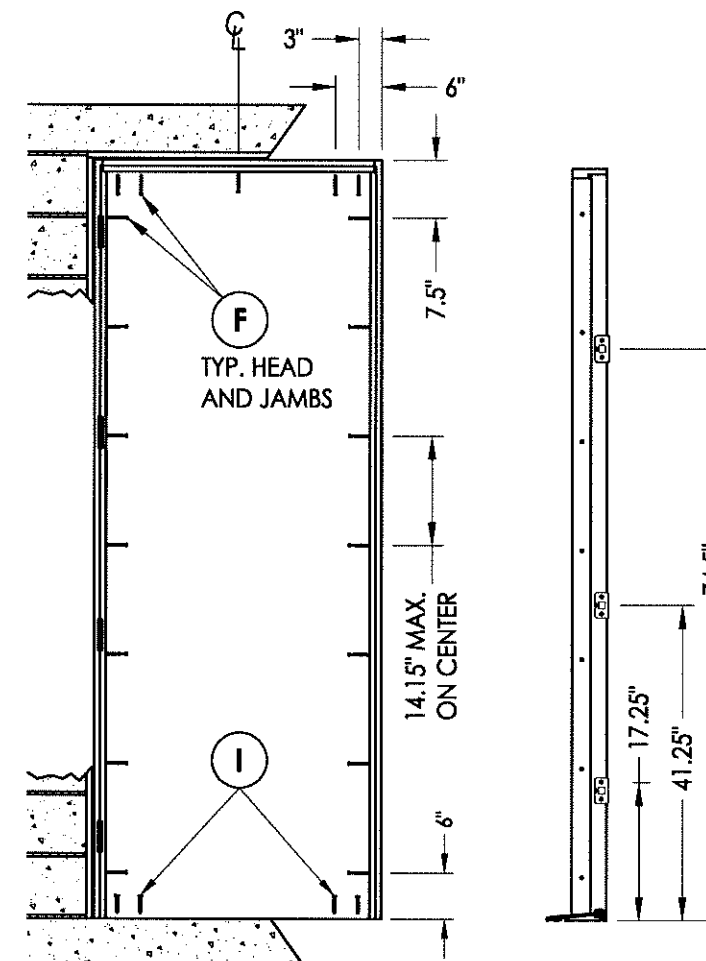
**HINGE JAMB**

**FRAME ANCHORING**  
Masonry construction  
2X buck



**STRIKE JAMB**

**HINGE JAMB**



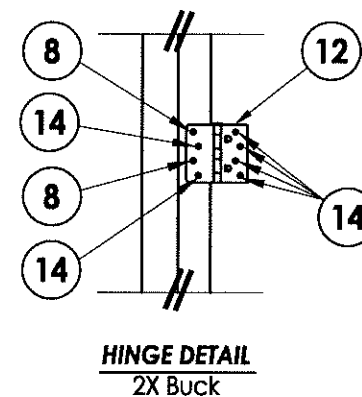
**FRAME ANCHORING**  
Masonry construction  
1X buck

**STRIKE JAMB**

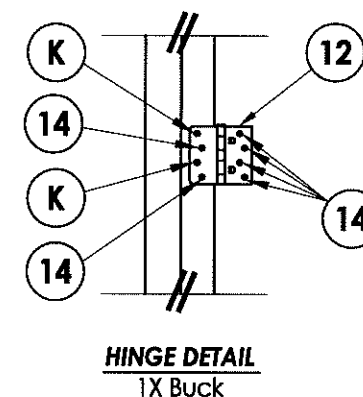
**CONCRETE ANCHOR NOTES:**

1. Substitution of equal concrete anchors from a different supplier may have different edge distance and center distance requirements.
2. Concrete anchor locations at the corners may be adjusted to maintain the min. edge distance to mortar joints. If concrete anchor locations noted as "MAX. ON CENTER" must be adjusted to maintain the min. edge distance to mortar joints, additional concrete anchors may be required to ensure the "MAX. ON CENTER" dimensions are not exceeded.
3. Concrete anchor table:

ANCHOR TYPE	ANCHOR SIZE	MIN. EMBEDMENT	MIN. CLEARANCE TO MASONRY EDGE	MIN. CLEARANCE TO ADJACENT ANCHOR
ITW	1/4"	1-1/4"	2-1/2"	3"
ELCO	1/4"	1-1/4"	1"	4"
ITW	3/16"	1-1/4"	2-5/8"	2-1/4"



**HINGE DETAIL**  
2X Buck



**HINGE DETAIL**  
1X Buck

Documents Prepared By:  
**RW** BUILDING CONSULTANTS, INC.  
 P.O. Box 230 Valrico FL 33595  
 Phone No.: 813.659.9197  
 Florida Board of Professional Engineers  
 Certificate Of Authorization No. 9813  
 Lyndon F. Schmidt, P.E. No. 43409

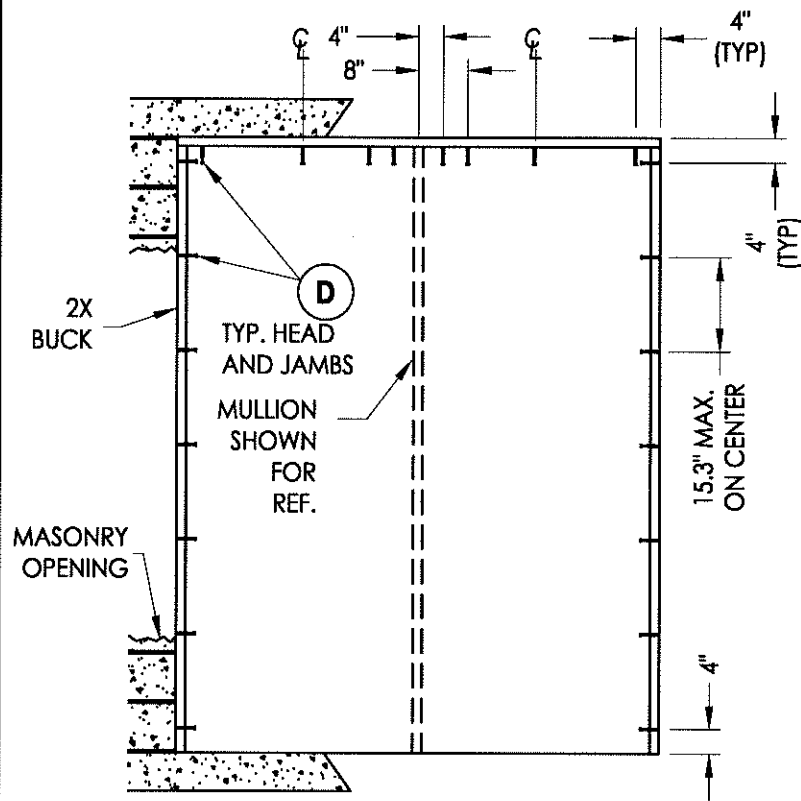
PRODUCT: ROGUE VALLEY DOOR  
 PART OR ASSEMBLY: BUCK AND FRAME ANCHORING (X)

NO.	DATE	BY	REVISIONS
1	10/25/12	LFS	UPDATE TO 2010 FBC

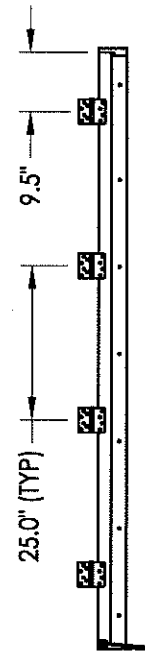
DATE: 10/06/09  
 SCALE: N.T.S.  
 DWG. BY: JK  
 CHK. BY: LFS  
 DRAWING NO.: FL-13137.2  
 SHEET 8 OF 13



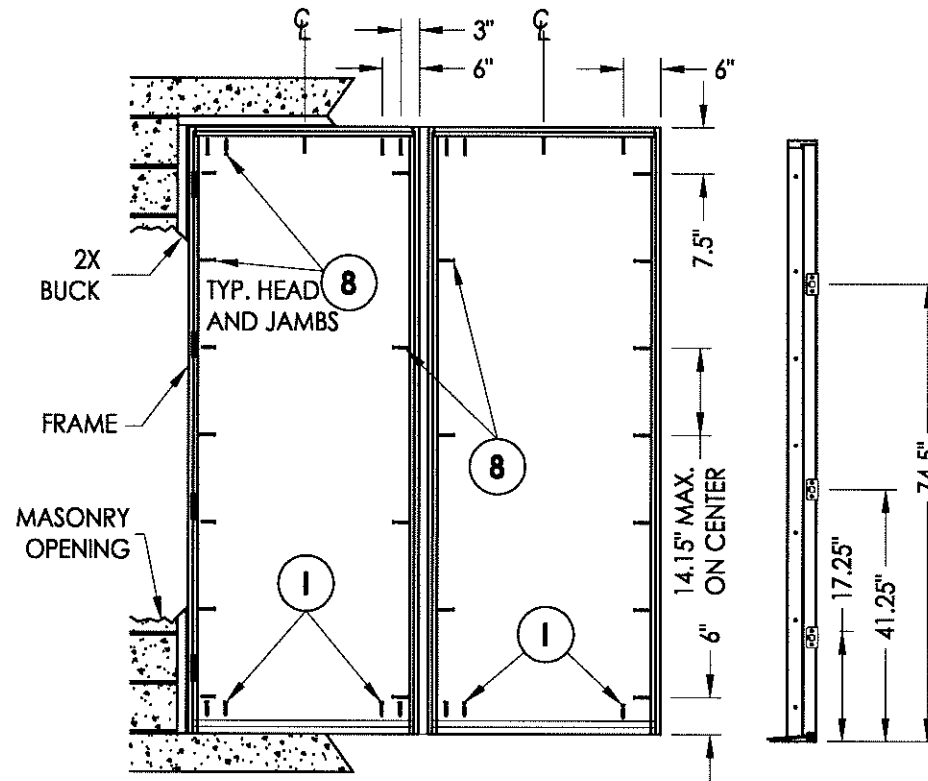
R:\VA - Projects\Project Folders\proj 1401-1500\PF 1482\D. RWBC Drawings\FL-13137\FL-13137.dwg, 9.2



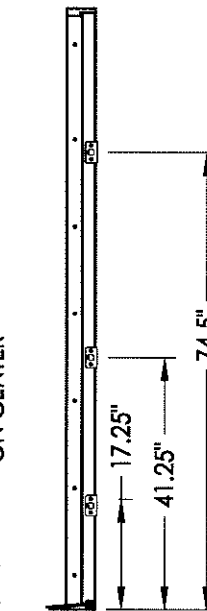
**BUCK ANCHORING**



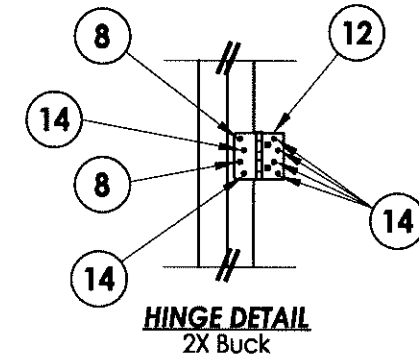
**HINGE JAMB**



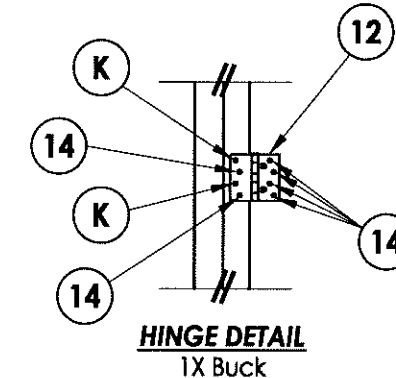
**FRAME ANCHORING**  
Masonry construction  
2X buck



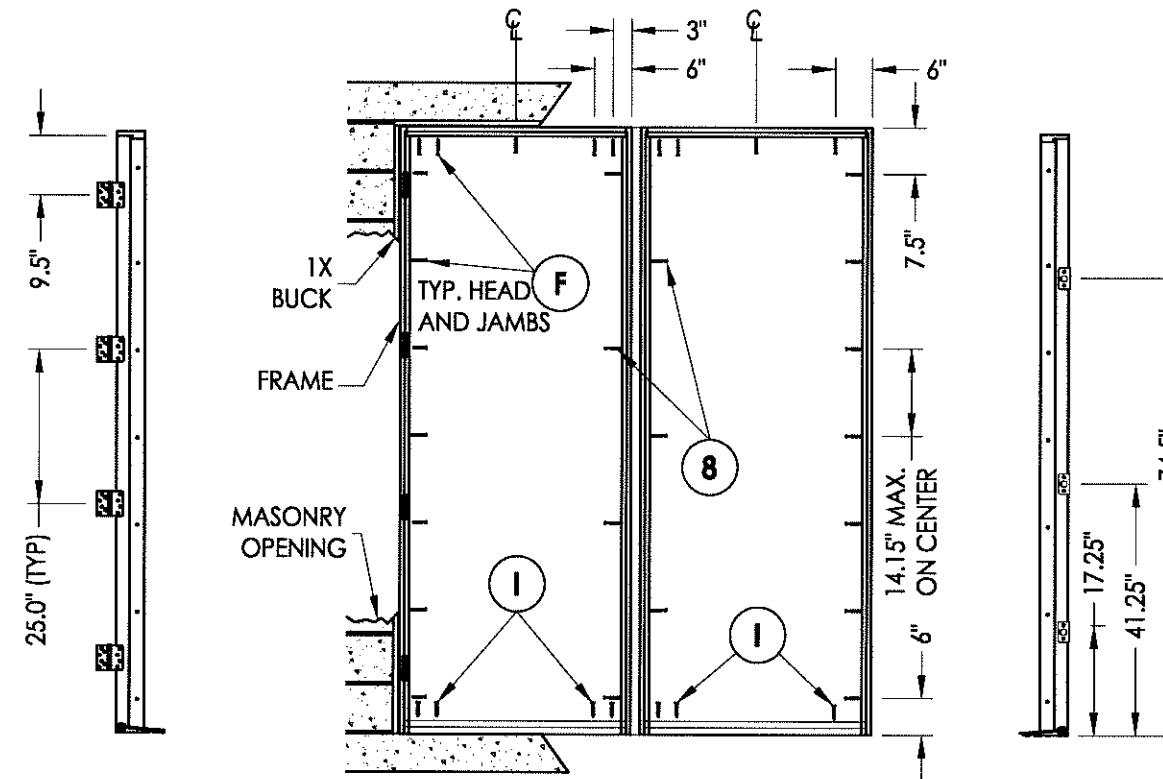
**STRIKE JAMB**



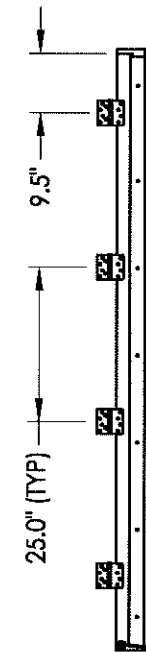
**HINGE DETAIL**  
2X Buck



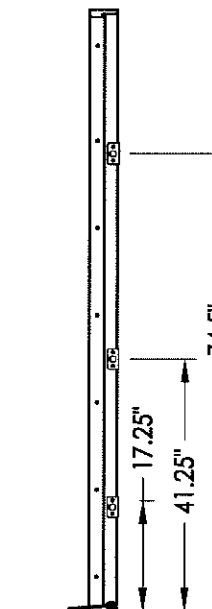
**HINGE DETAIL**  
1X Buck



**FRAME ANCHORING**  
Masonry construction  
1X buck



**HINGE JAMB**



**STRIKE JAMB**

**CONCRETE ANCHOR NOTES:**

1. Substitution of equal concrete anchors from a different supplier may have different edge distance and center distance requirements.
2. Concrete anchor locations at the corners may be adjusted to maintain the min. edge distance to mortar joints. If concrete anchor locations noted as "MAX. ON CENTER" must be adjusted to maintain the min. edge distance to mortar joints, additional concrete anchors may be required to ensure the "MAX. ON CENTER" dimensions are not exceeded.
3. Concrete anchor table:

ANCHOR TYPE	ANCHOR SIZE	MIN. EMBEDMENT	MIN. CLEARANCE TO MASONRY EDGE	MIN. CLEARANCE TO ADJACENT ANCHOR
ITW	1/4"	1-1/4"	2-1/2"	3"
ELCO	1/4"	1-1/4"	1"	4"
ITW	3/16"	1-1/4"	2-5/8"	2-1/4"

Documents Prepared By:

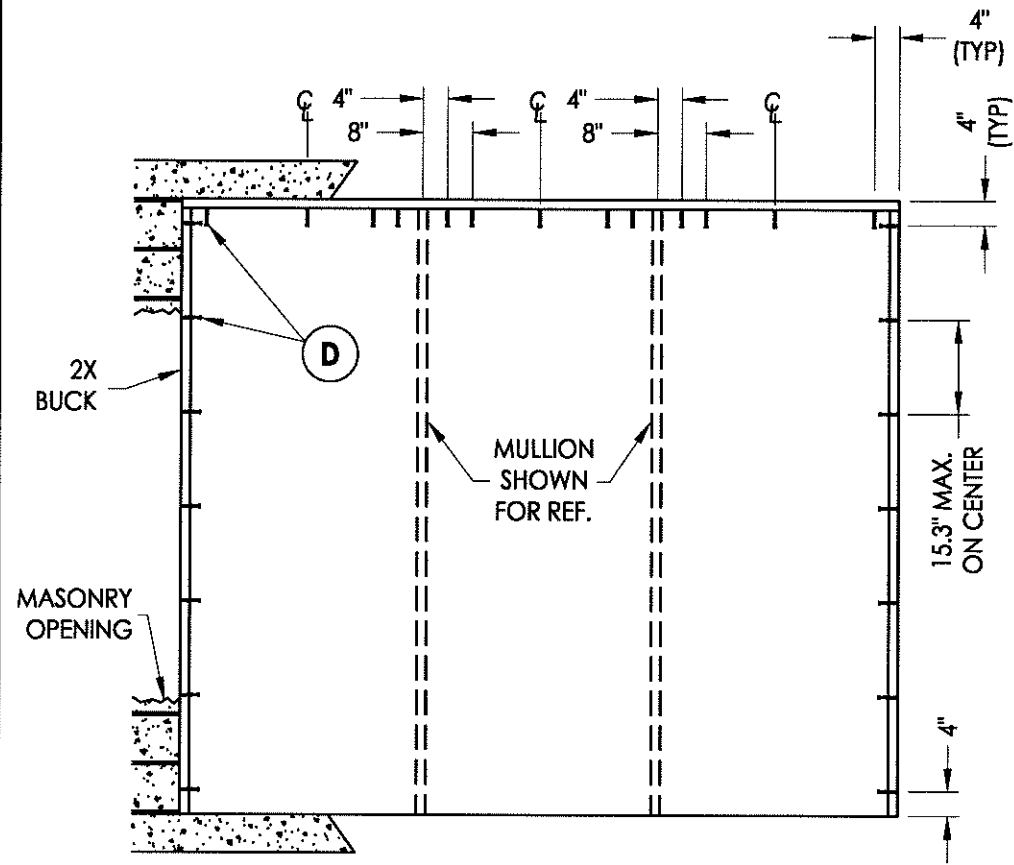
**RW** BUILDING CONSULTANTS, INC.  
P.O. Box 230 Valrico FL 33595  
Phone No.: 813.659.9197  
Florida Board of Professional Engineers  
Certificate Of Authorization No. 9813  
*10.2.09*  
Lyndon F. Schmidt, P.E. No. 43409

PRODUCT: ROGUE VALLEY DOOR

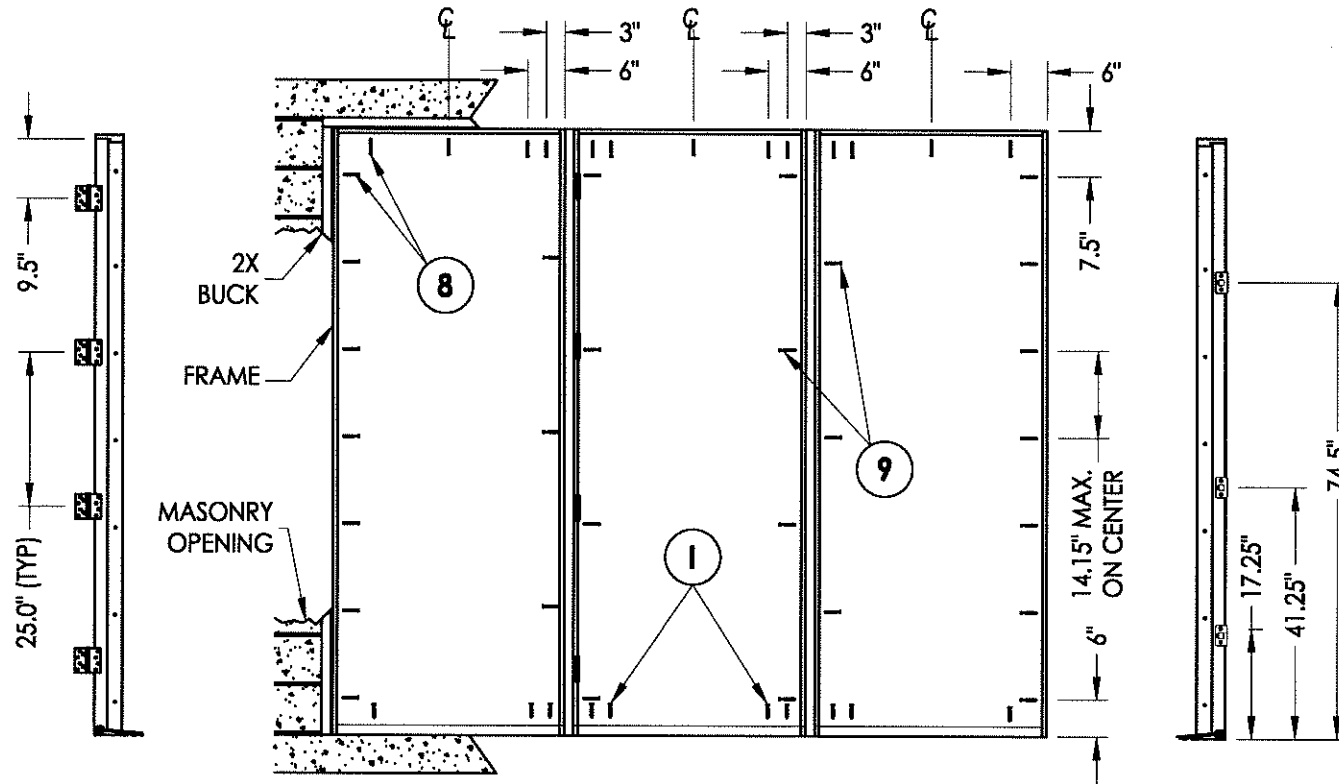
PART OR ASSEMBLY:  
BUCK AND FRAME ANCHORING (XO)

NO.	DATE	DESCRIPTION	BY
1	10/25/12	UPDATE TO 2010 FBC	LFS

DATE: 10/06/09  
SCALE: N.T.S.  
DWG. BY: JK  
CHK. BY: LFS  
DRAWING NO.: FL-13137.2  
SHEET 9 OF 13



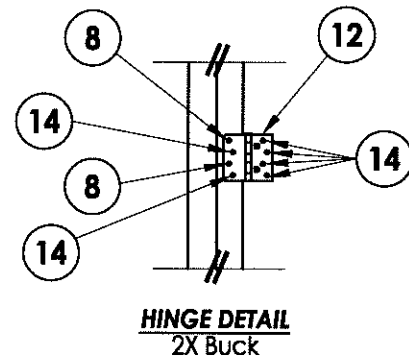
**BUCK ANCHORING**



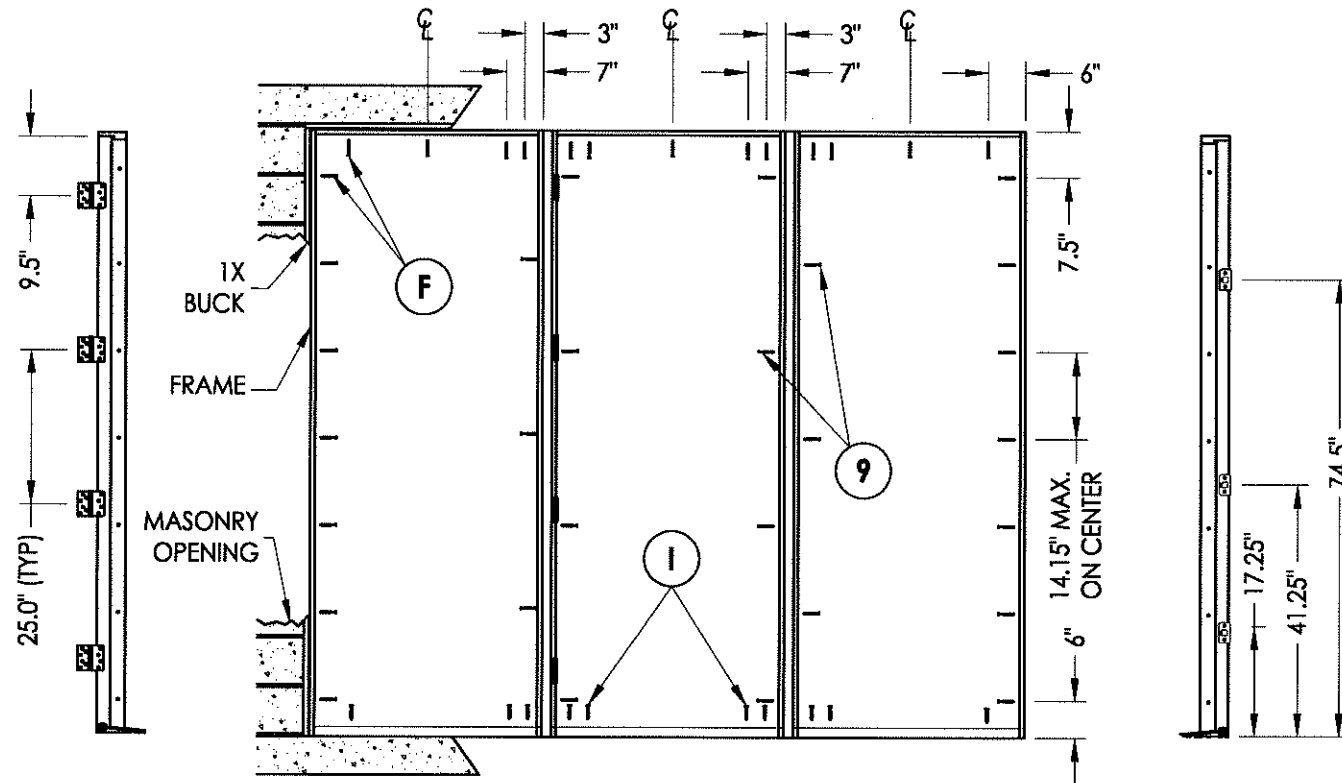
**HINGE JAMB**

**FRAME ANCHORING**  
Masonry construction  
2X buck

**STRIKE JAMB**



**HINGE DETAIL**  
2X Buck



**HINGE JAMB**

**FRAME ANCHORING**  
Masonry construction  
1X buck

**STRIKE JAMB**

**CONCRETE ANCHOR NOTES:**

1. Substitution of equal concrete anchors from a different supplier may have different edge distance and center distance requirements.
2. Concrete anchor locations at the corners may be adjusted to maintain the min. edge distance to mortar joints. If concrete anchor locations noted as "MAX. ON CENTER" must be adjusted to maintain the min. edge distance to mortar joints, additional concrete anchors may be required to ensure the "MAX. ON CENTER" dimensions are not exceeded.
3. Concrete anchor table:

ANCHOR TYPE	ANCHOR SIZE	MIN. EMBEDMENT	MIN. CLEARANCE TO MASONRY EDGE	MIN. CLEARANCE TO ADJACENT ANCHOR
ITW	1/4"	1-1/4"	2-1/2"	3"
ELCO	1/4"	1-1/4"	1"	4"
ITW	3/16"	1-1/4"	2-5/8"	2-1/4"

Documents Prepared By:

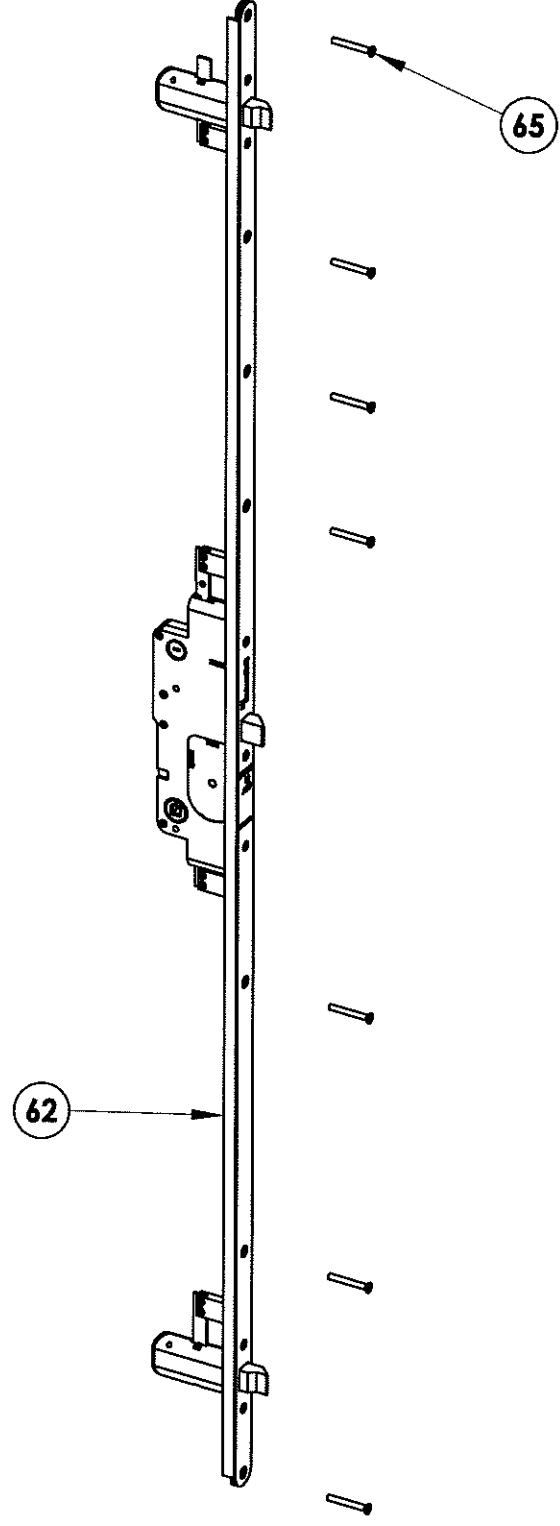
**RW** BUILDING CONSULTANTS, INC.  
P.O. Box 230 Valrico FL 33595  
Phone No.: 813.659.9197  
Florida Board of Professional Engineers  
Certificate Of Authorization No. 9813  
*LFS* 10.25.12  
Lyndon F. Schmidt, P.E. No. 43409

PRODUCT: ROGUE VALLEY DOOR

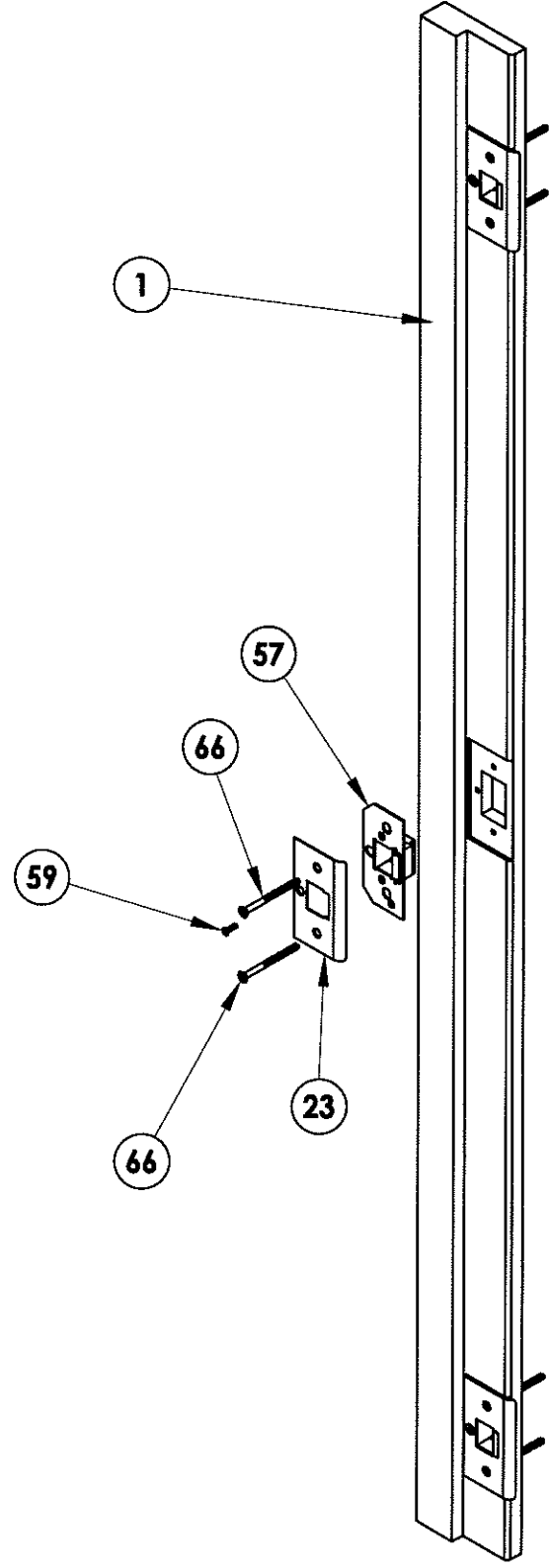
PART OR ASSEMBLY:  
BUCK AND FRAME ANCHORING (OXO)

NO.	DATE	BY	REVISIONS
1	10/25/12	LFS	UPDATE TO 2010 FBC

DATE: 10/06/09  
SCALE: N.T.S.  
DWG. BY: JK  
CHK. BY: LFS  
DRAWING NO.: FL-13137.2  
SHEET 10 of 13



**3 POINT LOCK DETAIL**  
W & F Trilennium



**STRIKE DETAIL**

DATE:	10/06/09
SCALE:	N.T.S.
DWG. BY:	JK
CHK. BY:	LFS
DRAWING NO.:	FL-13137.2
SHEET	11 OF 13

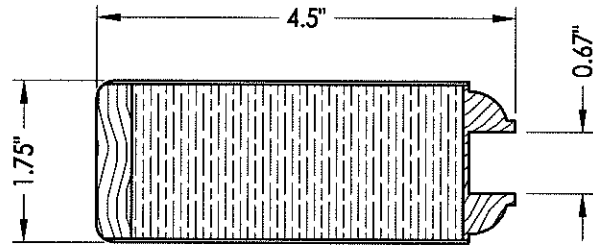
NO.	DATE	REVISIONS
1	10/25/12	UPDATE TO 2010 FBC
		LFS
		BY

PRODUCT:	ROGUE VALLEY DOOR
PART OR ASSEMBLY:	LOCK DETAILS

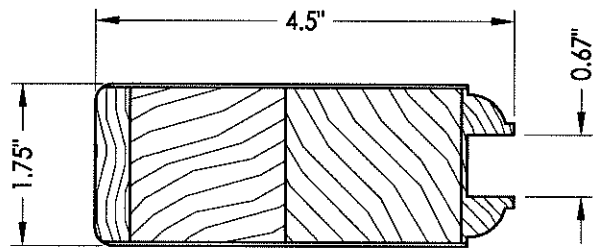
Documents Prepared By:  
**RW** BUILDING CONSULTANTS, INC.  
 P.O. Box 230 Valrico FL, 33595  
 Phone No.: 813.659.9197  
 Florida Board of Professional Engineers  
 Certificate Of, Authorizing No. 9813  
*LFS 10.25.12*  
 Lyndon F. Schmidt, P.E. No. 43409

P:\AA - Projects\Project Folders\proj.1401-1500\PE 1482\ID - RWBC Drawings\FL-13137\FL-13137.dwg\_12.2

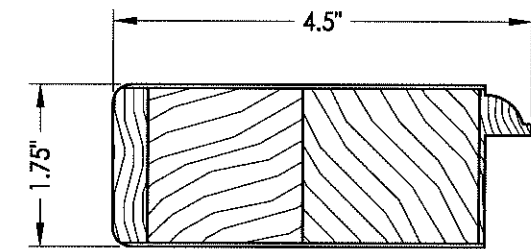
NOTE:  
 1. Pins are 5/8" x 5" centered half in the rail, half in the stile.  
 2. Door panel wood SG. >= 0.42



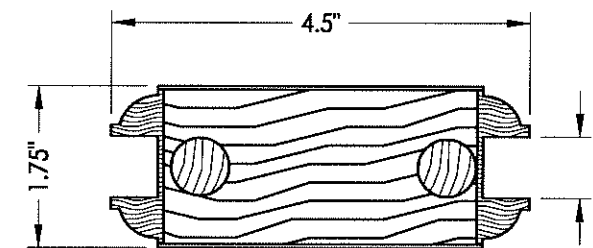
**54 HINGE AND LATCH STILE**  
 Panel infill  
 LVL



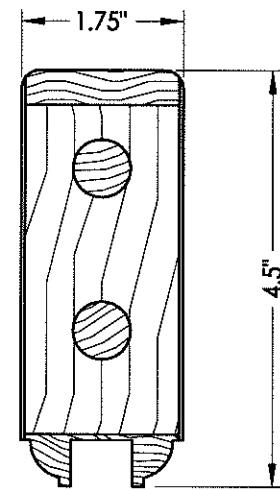
**54 HINGE AND LATCH STILE**  
 Panel infill



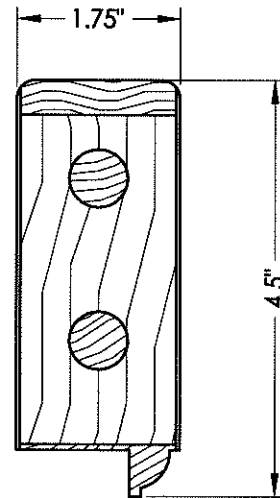
**54 HINGE AND LATCH STILE**  
 Glazed



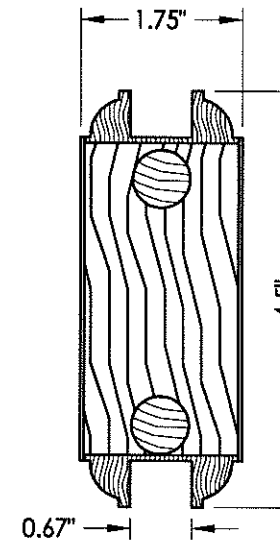
**55 MID STILE**



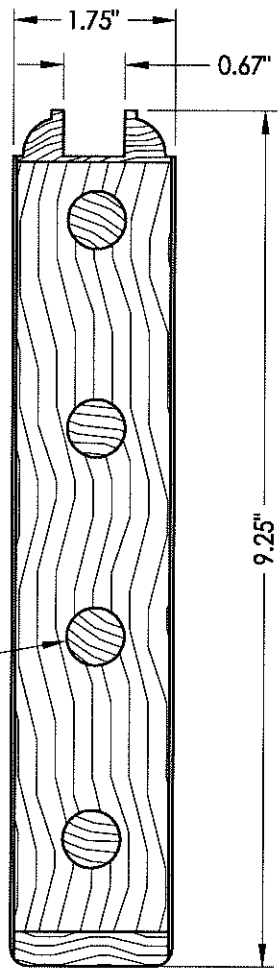
**51 TOP RAIL**  
 Panel infill



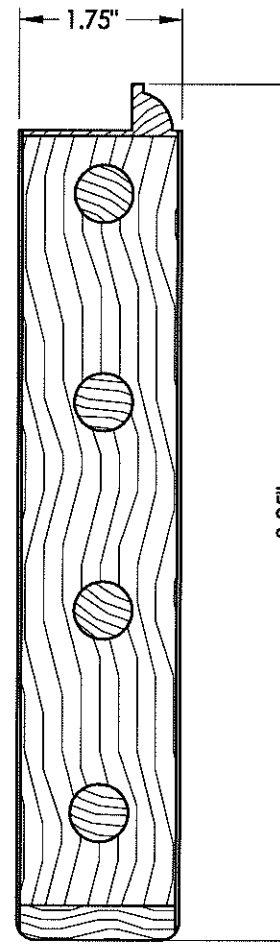
**51 TOP RAIL**  
 Glazed



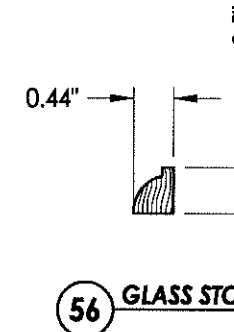
**58 MID RAIL**  
 Panel infill



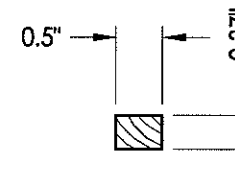
**53 BOTTOM RAIL**  
 Panel infill



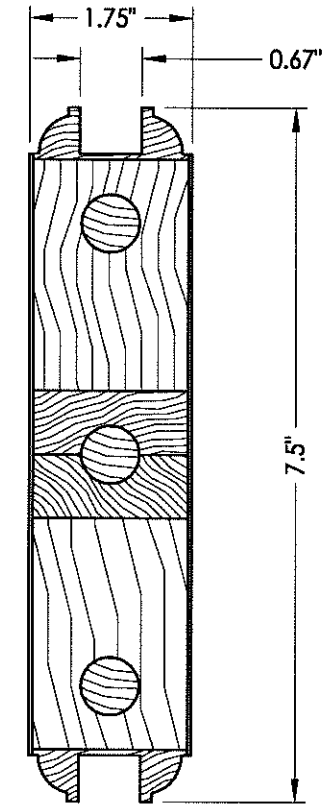
**53 BOTTOM RAIL**  
 Glazed



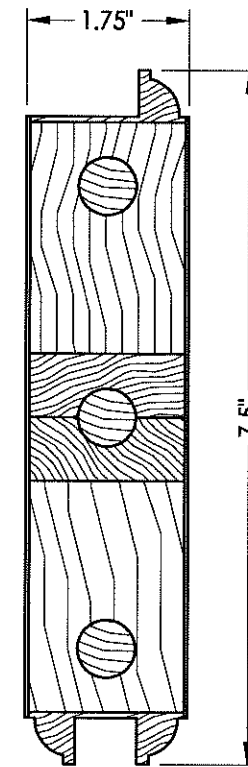
**56 GLASS STOP**



**21 PANEL STOP**



**52 LOCK RAIL**  
 Panel infill

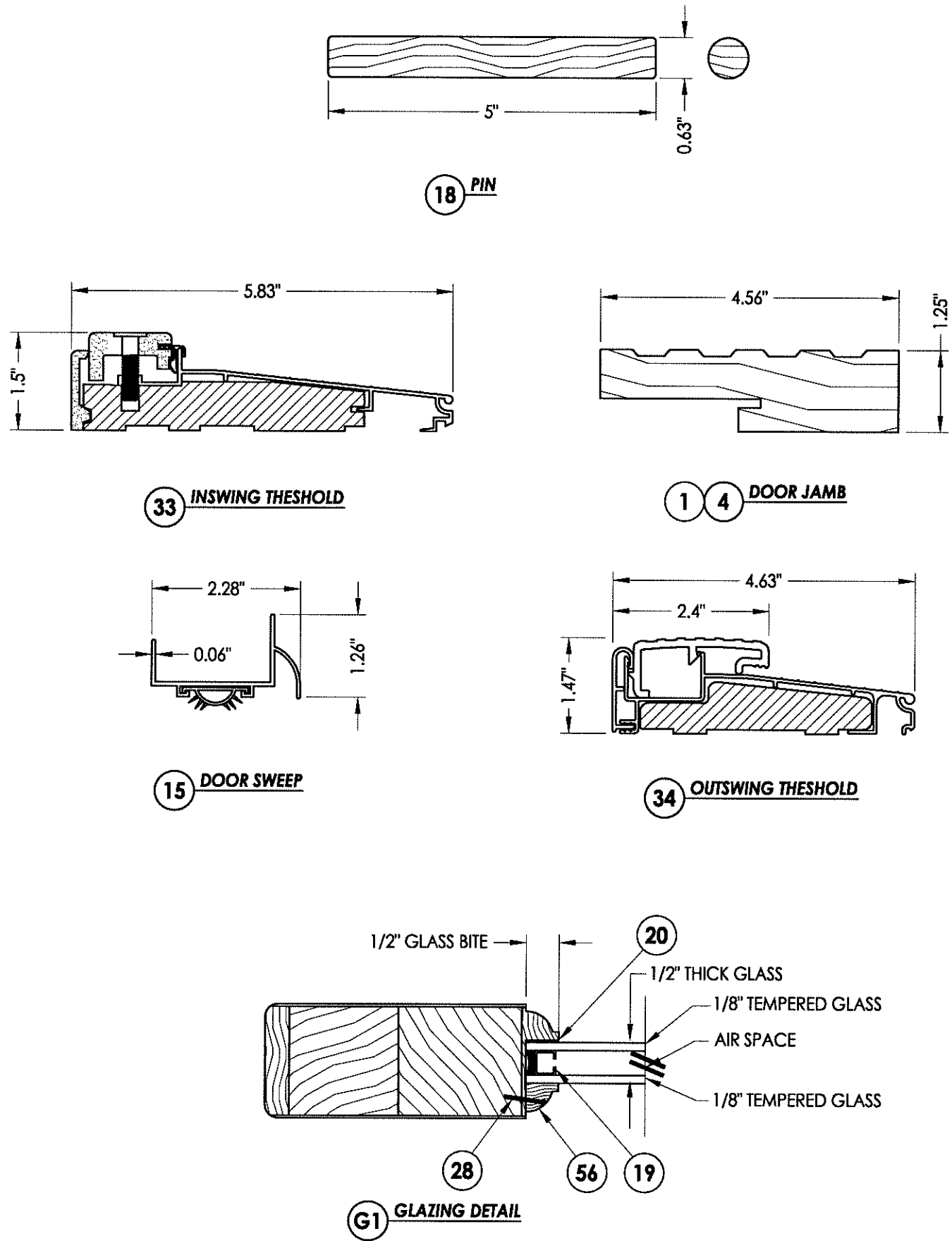


**52 LOCK RAIL**  
 Glazed

SEE NOTE 1  
 (TYP) **18**

Documents Prepared By:		BUILDING CONSULTANTS, INC. P.O. Box 230 Valrico FL 33595 Phone No.: 813.659.9197 Florida Board of Professional Engineers Certificate Of Authorization No. 9813 <i>LFS 10.25.12</i> Lyndon F. Schmidt, P.E. No. 43409	
PRODUCT:	ROGUE VALLEY DOOR	PART OR ASSEMBLY:	COMPONENTS
		NO.	DATE
		1	10/25/12 UPDATE TO 2010 FBC
		LFS	BY
DATE:	10/06/09		
SCALE:	N.T.S.		
DWG. BY:	JK		
CHK. BY:	LFS		
DRAWING NO.:	FL-13137.2		
SHEET	12	OF 13	

BILL OF MATERIALS		
ITEM #	DESCRIPTION	MATERIAL
A	1X BUCK SG >= 0.55	WOOD
B	2X BUCK SG >= 0.55	WOOD
C	1/4" MAX. SHIM SPACE	-
D	1/4" X 2-3/4" ELCO OR ITW CONCRETE SCREW	STEEL
E	MASONRY - 3,192 PSI MIN. CONCRETE CONFORMING TO ACI 301 OR HOLLOW BLOCK CONFORMING TO ASTM C90	CONCRETE
F	1/4" X 3-3/4" ELCO OR ITW CONCRETE SCREW	STEEL
I	1/4" X 2-1/4" ELCO OR ITW CONCRETE SCREW	STEEL
K	3/16" X 3-1/4" ITW CONCRETE SCREW	STEEL
1	DOOR HEADER AND JAMB 1-1/4" X 4-9/16" (SG => 0.42 PSF)	WOOD
4	SIDELITE HEADER AND JAMB 1-1/4" X 4-9/16" (SG => 0.42 PSF)	WOOD
7	WEATHERSTRIP	FOAM
8	#10 X 2-3/4" PFH WS	STEEL
9	#9 X 2" PFH WS	STEEL
12	HINGE	STEEL
14	1/4" X 3/4" PFH WS	STEEL
15	DOOR SWEEP	ALUM
16	#6 X 1/2" PPH WS	STEEL
17	PANEL INFIL	WOOD/COMP
18	5/8" DIA. X 5" PIN	WOOD
19	.375" GLAZING SPACER	ALUM
20	SEALANT	SILICONE
21	3/8" X 1/2" PANEL STOP	WOOD
22	1" BRAD	STEEL
23	MULTI-POINT STRIKE PLATE	STEEL
28	1/4" X 1" 16GA. STAPLE	STEEL
30	1-1/2" MULLION SG. ≥ 0.55	WOOD
33	THRESHOLD (INSWING)	-
34	THRESHOLD (OUTSWING)	-
35	INSWING SIDELITE ADAPTER	-
40	SIDELITE PANEL (1/2 LITE)	-
41	DOOR / SIDELITE PANEL (FULL LITE)	-
50	DOOR PANEL (OPAQUE)	-
51	TOP RAIL	WOOD
52	LOCK RAIL	WOOD
53	BOTTOM RAIL	WOOD
54	HINGE AND LATCH STILE	WOOD
55	MID STILE	WOOD
56	GLASS STOP	WOOD
57	BACKING PLATE	STEEL
58	MID RAIL	WOOD
59	#8 X 3/4" PFH MACHINE SCREW	STEEL
60	KWIKSET 690 C.P. LATCH AND DEADBOLT	STEEL
62	LOCK ASSEMBLY 3 POINT LOCK (SINGLE DOOR) W&F Triennium	STEEL
65	#10 X 1-1/2" PFH WOOD SCREW	STEEL
66	#8 X 1-1/4" PFH MACHINE SCREW	STEEL



Documents Prepared By:  
**RW** BUILDING CONSULTANTS, INC.  
 P.O. Box 230 Valrico FL 33595  
 Phone No.: 813.659.9197  
 Florida Board of Professional Engineers  
 Certificate of Authorization No. 9813  
 17 SEP 10. 25. 12  
 Lyndon F. Schmidt, P.E. No. 43409

PRODUCT: ROGUE VALLEY DOOR  
 PART OR ASSEMBLY: BILL OF MATERIALS, COMPONENTS AND GLAZING DETAIL

NO.	DATE	BY	REVISIONS
1	10/25/12	LFS	UPDATE TO 2010 FBC

DATE: 10/06/09  
 SCALE: N.T.S.  
 DWG. BY: JK  
 CHK. BY: LFS  
 DRAWING NO.: FL-13137.2  
 SHEET 13 OF 13